



Electrical features

Maximum operating current ($\leq 440V$)	A	43
---	---	----

Components

Starter enclosure standard supplied	M3PA70
Contactor standard supplied	BF2600A, BF2600A, BF1810A
Thermal relay to purchase separately	RF38...
Auxiliary contact standard supplied	BFX1020, BFX1011, BFX1011

Contact characteristics

IEC standard motor powers	230V	kW	11
	400V	kW	22
	440V	kW	22
	500V	kW	25

Mechanical features

Weight	g	3650
--------	---	------

Ambient conditions

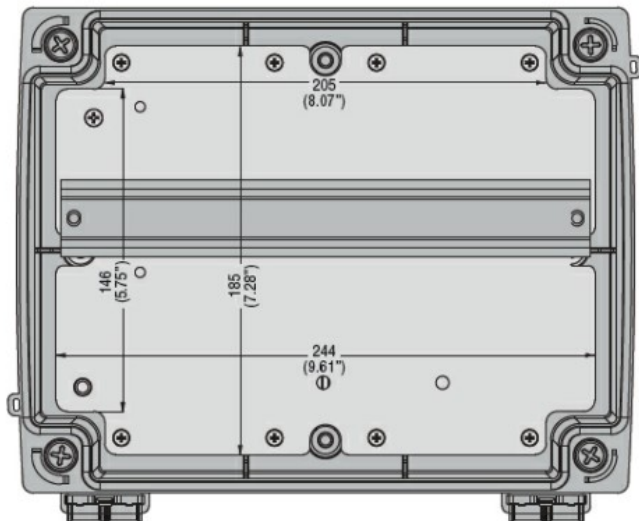
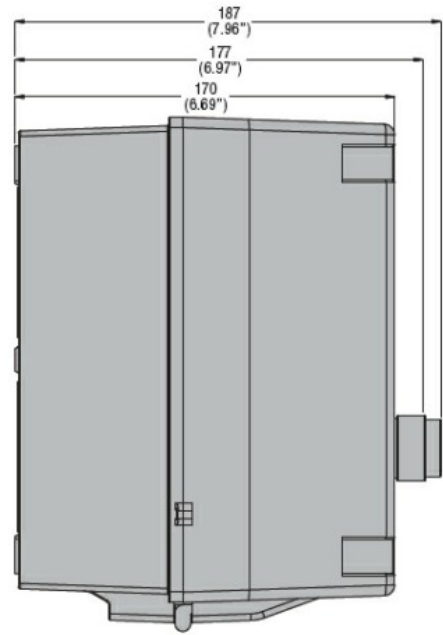
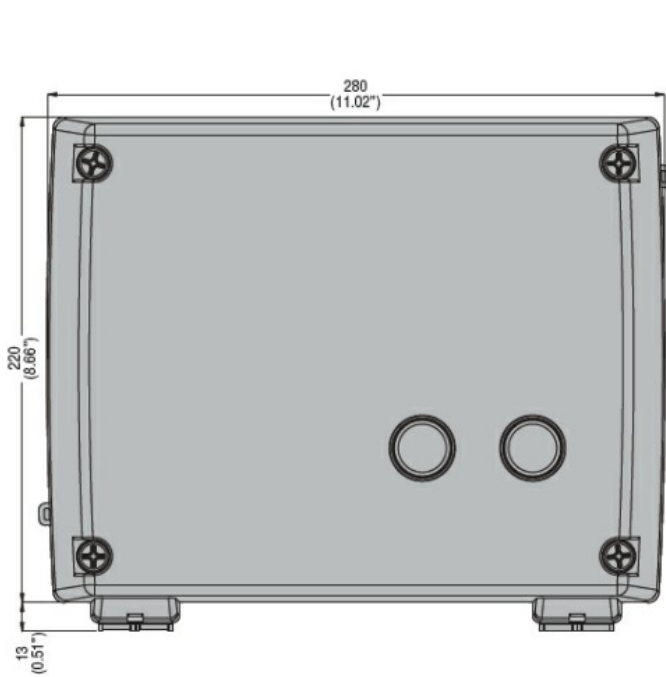
Operating temperature	min	°C	-25
	max	°C	+60
Storage temperature	min	°C	-40
	max	°C	+70

Resistance & Protection

Frontal IP degree	IP65
-------------------	------

Dimensions

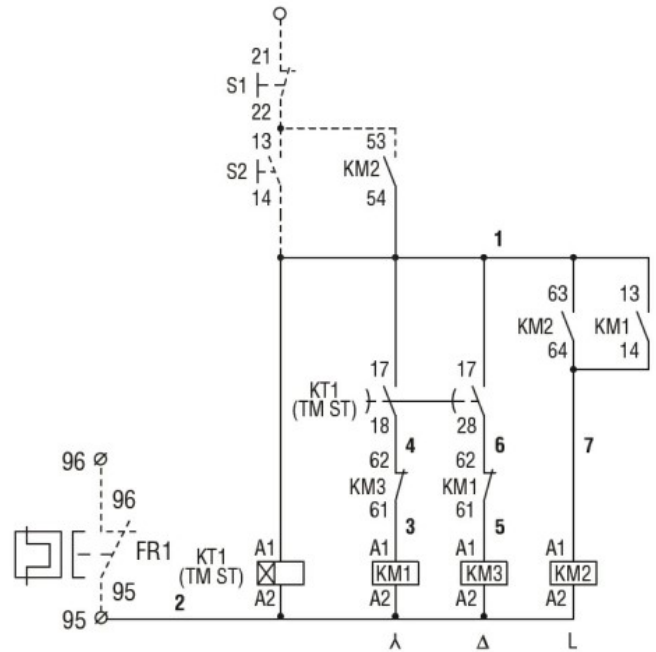
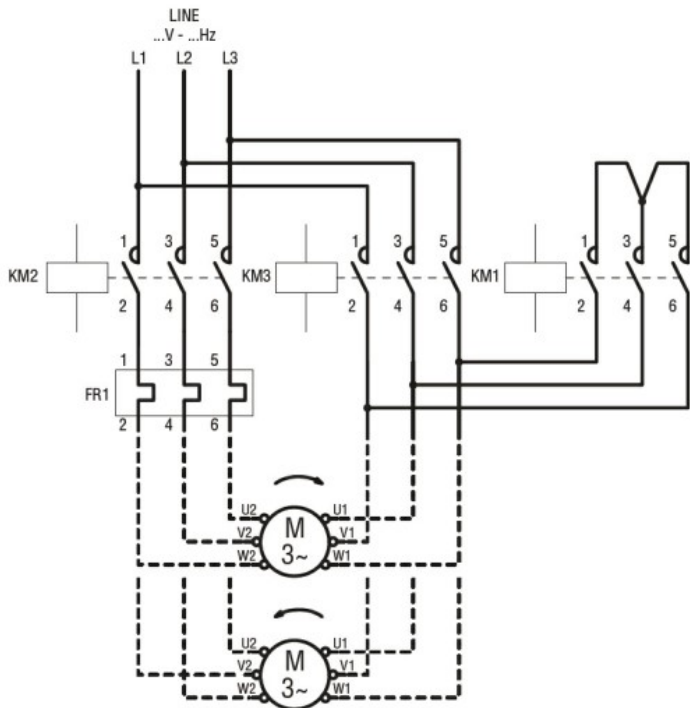
STAR-DELTA STARTER, ENCLOSED STARTER, WITH START AND STOP/RESET BUTTONS.
STARTING TIME UP TO 12 SECONDS AND A MAXIMUM OF 30 OPERATIONS/HOUR, MAX IEC
OPERATING CURRENT 43A. COIL VOLTAGE 400VAC 50/60HZ



Drilling for surface fixing



Wiring diagrams



Certifications and compliance

Compliance

CSA C22.2 n° 14
for starters
IEC/EN 60947-1
IEC/EN 60947-4-1
UL508

Certificates

/

ETIM classification

ETIM 8.0

EC001037 -
Motor
starter/Motor
starter
combination