



**Electrical features**

Maximum operating current ( $\leq 440V$ )	A	60
---	---	----

**Components**

Starter enclosure standard supplied	M3PA70
Contactor standard supplied	BF3800A, BF3800A, BF2510A
Thermal relay to purchase separately	RF38...
Auxiliary contact standard supplied	BFX1020, BFX1011, BFX1011

**Contact characteristics**

IEC standard motor powers	230V	kW	15
	400V	kW	30
	440V	kW	30
	500V	kW	30

**Mechanical features**

Weight	g	3800
--------	---	------

**Ambient conditions**

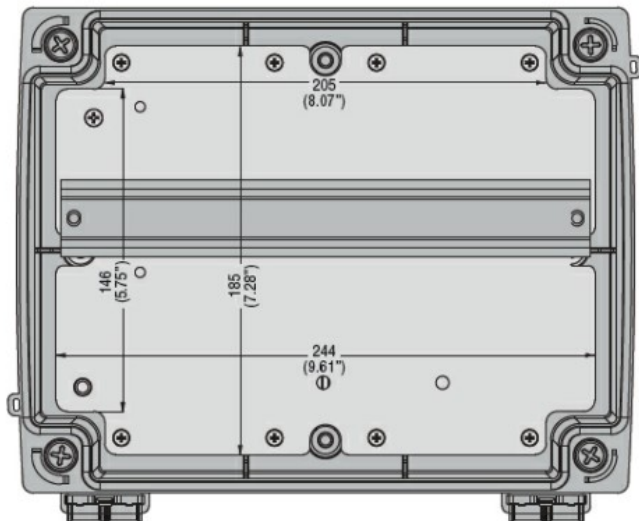
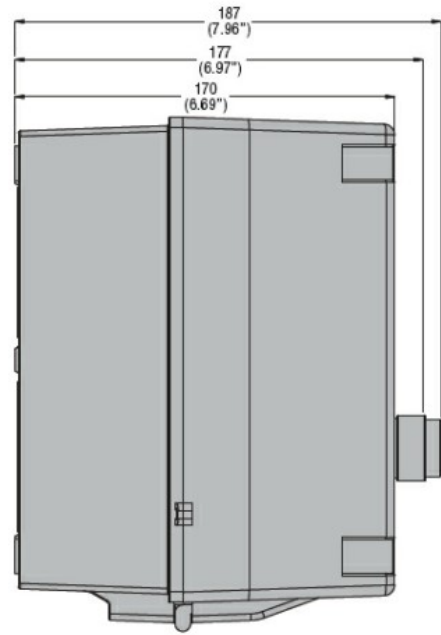
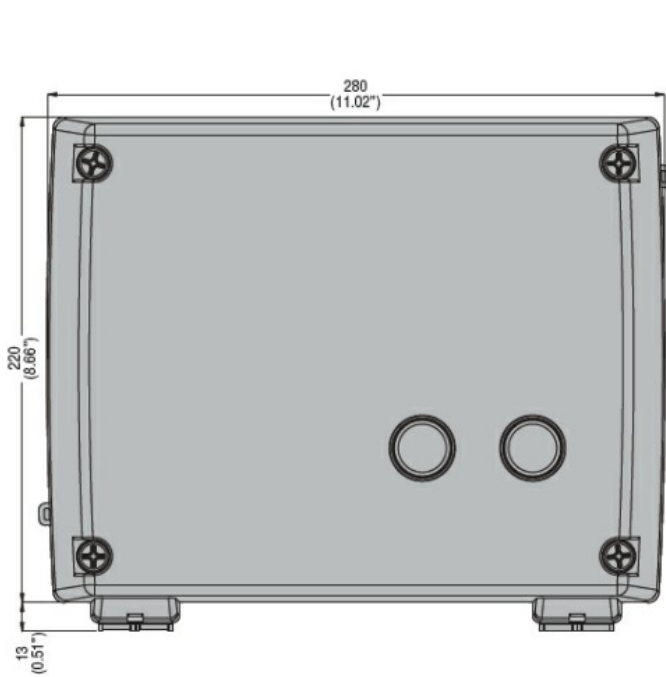
Operating temperature	min	°C	-25
	max	°C	+60
Storage temperature	min	°C	-40
	max	°C	+70

**Resistance & Protection**

Frontal IP degree	IP65
-------------------	------

**Dimensions**

STAR-DELTA STARTER, ENCLOSED STARTER, WITH START AND STOP/RESET BUTTONS.  
STARTING TIME UP TO 12 SECONDS AND A MAXIMUM OF 30 OPERATIONS/HOUR, MAX IEC  
OPERATING CURRENT 60A. COIL VOLTAGE 220VAC 60HZ

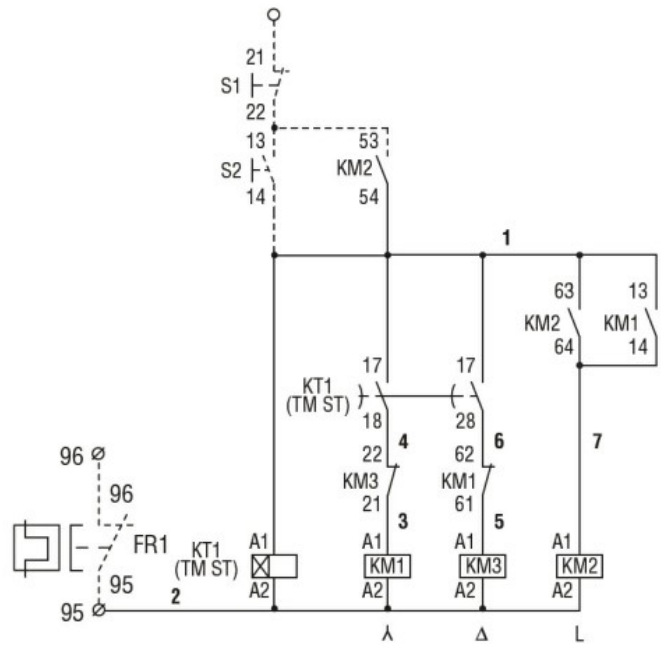
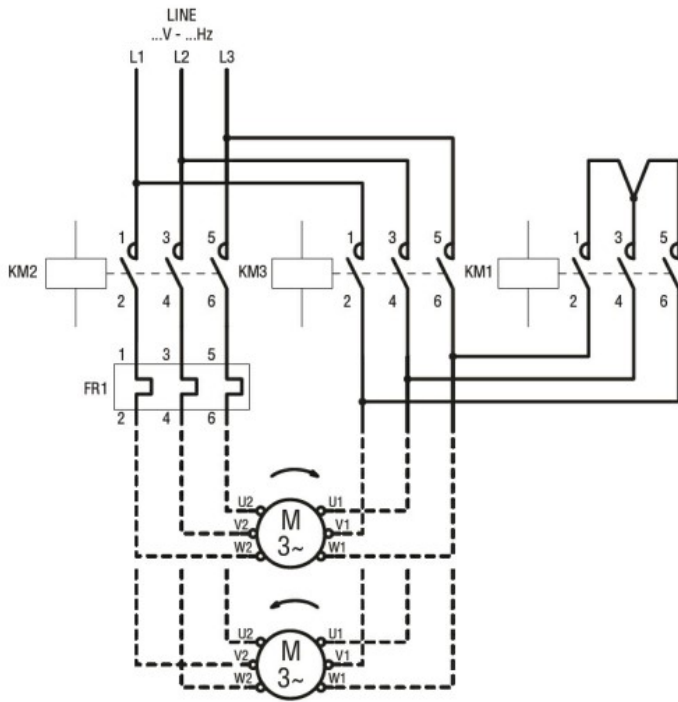


Drilling for surface fixing



Wiring diagrams

STAR-DELTA STARTER, ENCLOSED STARTER, WITH START AND STOP/RESET BUTTONS.  
STARTING TIME UP TO 12 SECONDS AND A MAXIMUM OF 30 OPERATIONS/HOUR, MAX IEC  
OPERATING CURRENT 60A. COIL VOLTAGE 220VAC 60HZ



**ETIM classification**

ETIM 8.0

EC001037 -  
Motor  
starter/Motor  
starter  
combination