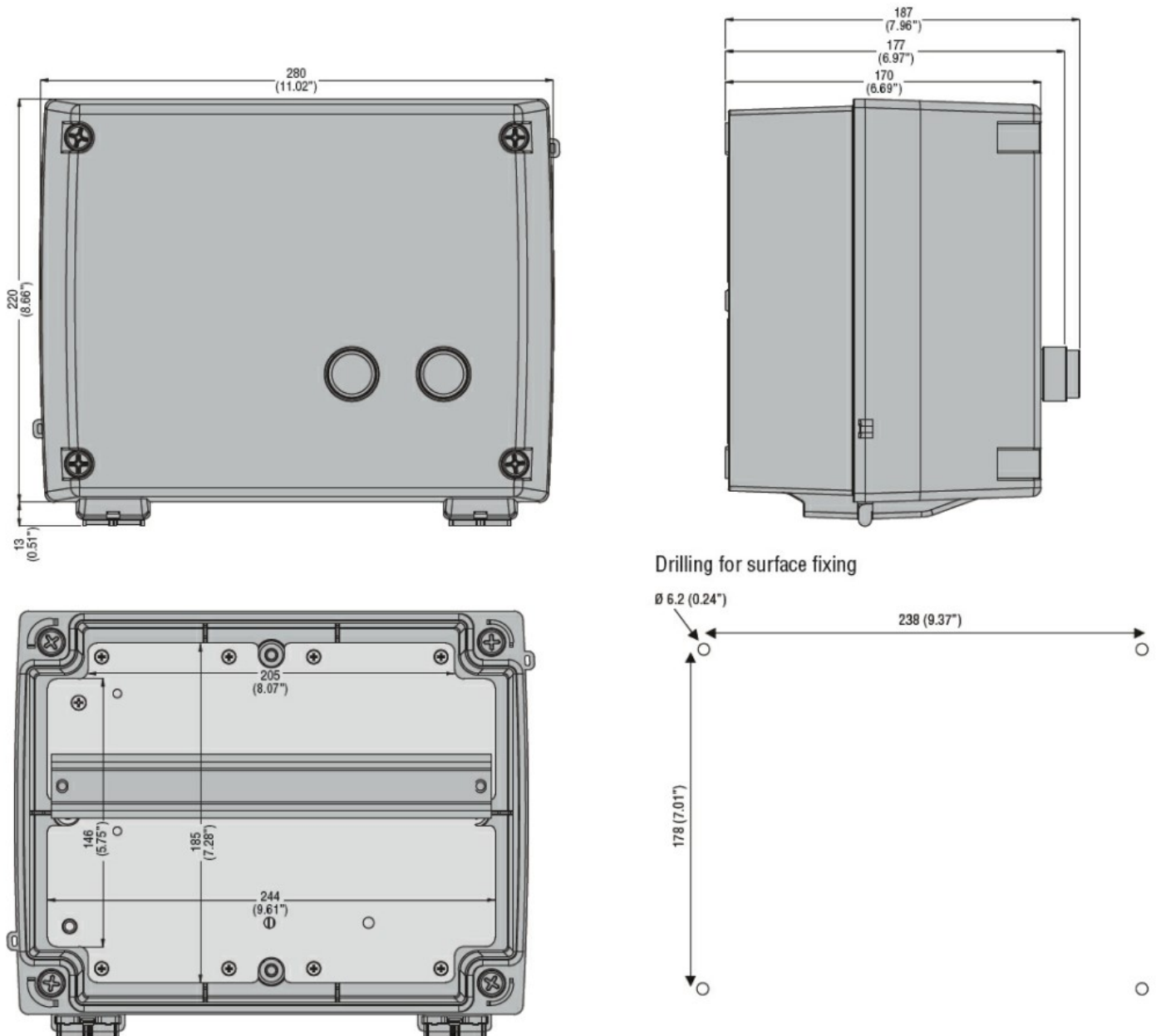




Mechanical features			
Weight		g	2240
Ambient conditions			
Operating temperature	min	°C	-25
	max	°C	+60
Storage temperature	min	°C	-40
	max	°C	+70
Resistance & Protection			
Frontal IP degree			IP65
Dimensions			



Certifications and compliance

Compliance

CSA C22.2 n° 14
for starters
IEC/EN 60947-1
IEC/EN 60947-4-1
UL508

Certificates

/

ETIM classification

ETIM 8.0

EC000200 -
Enclosure for
control circuit
devices