



Electrical features

Function		Direct-On-Line starter
Rated operational voltage	V	40...500
Rated frequency	Hz	50/60
Auxiliary supply voltage		24VDC
Rated current AC-3, AC-53a	A	2.4
Power dissipation	W	1.2...9.4
Thermal protection		Integrated, class 10A
Thermal trip adjustment range		0.18...2.4A
Safe torque Off (STO) safety function		No

Digital outputs

Number of outputs	Nr.	2
Output type		1 relay output with C/O contact +1 PNP digital output
Output contacts ratings		Relay output: 3A 230V AC15, 2A 24V DC13 Digital output: 40mA 24VDC

Mechanical features

Terminals type		Screw
Conductor section	AWG/kcmil conductor section	
	min	24
	max	14
	IEC	
	min	mm ² 0.2
	max	mm ² 2.5
	Tightening torque for terminals max	Nm 0.6
Cable stripping length	mm	8

Operating position	normal	Vertical
Fixing		35mm DIN rail (IEC/EN/BS 60715)
Weight	g	300

Operations

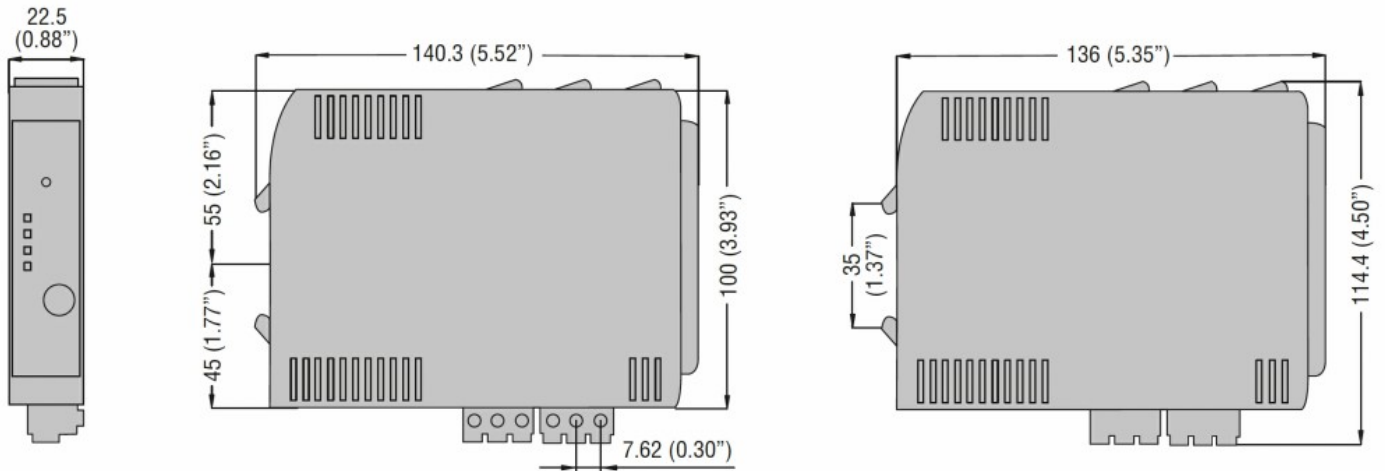
Mechanical life	cycles	15 million
Electrical life	cycles	50 million

Ambient conditions

Operating temperature	min	°C	-25
-----------------------	-----	----	-----

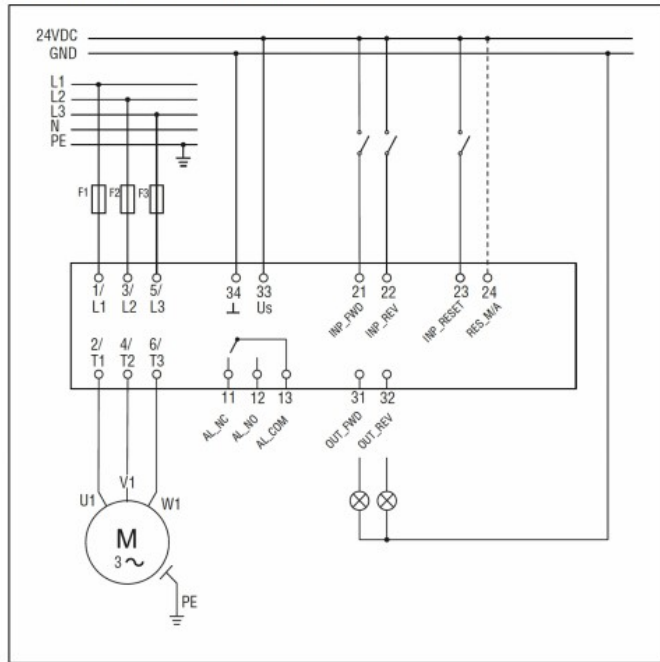
	max	°C	+70
Storage temperature	min	°C	-25
	max	°C	+80
Relative humidity		%	20...90
Resistance & Protection			
Rated insulation voltage U_i	V		500
Rated surge voltage	kV		6
Frontal IP degree			IP20
Terminals IP degree			IP20
Pollution degree			2

Dimensions

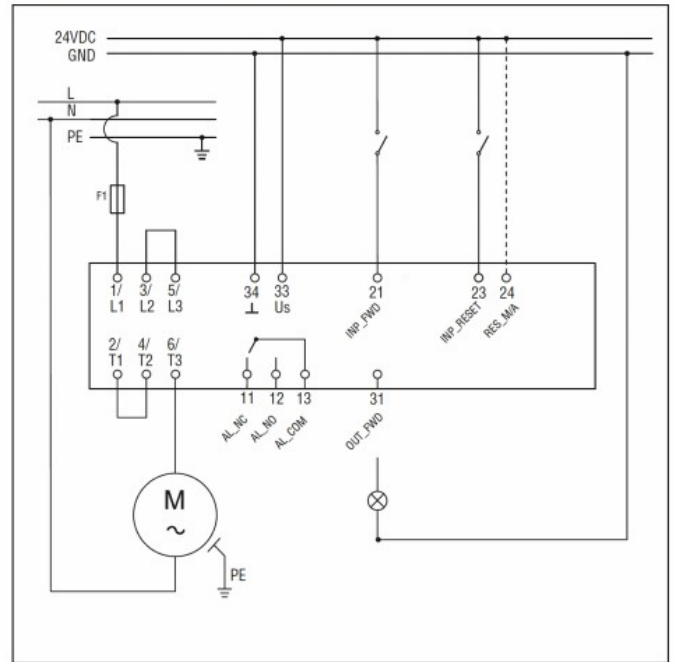


Wiring diagrams

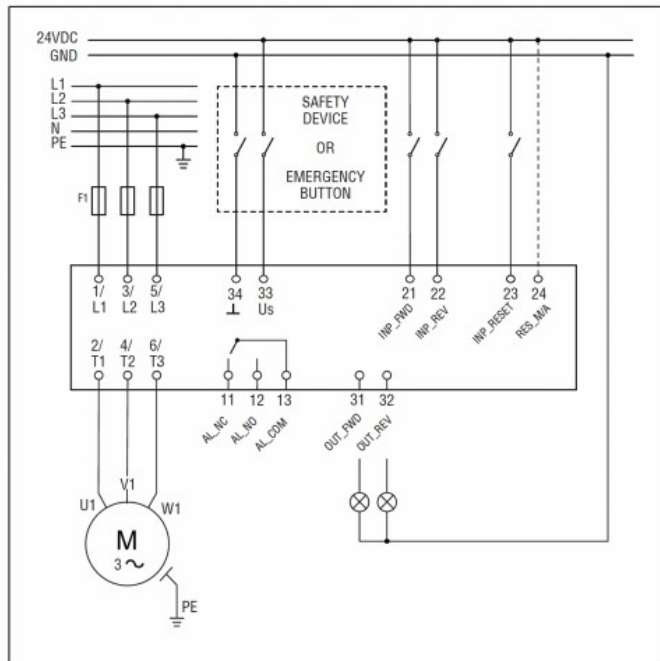
Wiring diagram for three-phase motors



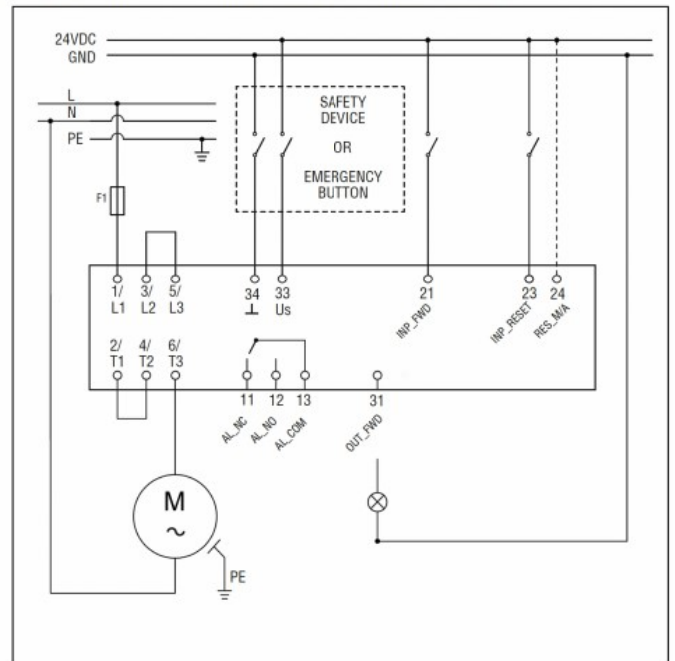
Wiring diagram for single-phase motors



Wiring diagram for three-phase motors for safety applications



Wiring diagram for single-phase motors for safety applications



Certifications and compliance

Compliance

CSA C22.2 n° 60947-4-2
IEC/EN/BS 60947-4-2
UL 60947-4-2

Certificates

cULus

ETIM classification

ETIM 8.0

EC001037 -
Motor starter /
Motor starter
combination