



**Electrical features**

Function		Reversing starter
Rated operational voltage	V	40...500
Rated frequency	Hz	50/60
Auxiliary supply voltage		24VDC
Rated current AC-3, AC-53a	A	2.4
Power dissipation	W	1.2...9.4
Thermal protection		Integrated, class 10A
Thermal trip adjustment range		0.18...2.4A
Safe torque Off (STO) safety function		No

**Digital outputs**

Number of outputs	Nr.	3
Output type		1 relay output with C/O contact +2 PNP digital outputs
Output contacts ratings		Relay output: 3A 230V AC15, 2A 24V DC13 Digital outputs: 40mA 24VDC

**Mechanical features**

Terminals type		Screw
Conductor section		
	AWG/kcmil conductor section	
		min 24
		max 14
	IEC	
		min mm <sup>2</sup> 0.2
		max mm <sup>2</sup> 2.5
	Tightening torque for terminals	max Nm 0.6
Cable stripping length	mm	8

Operating position	normal	Vertical
Fixing		35mm DIN rail (IEC/EN/BS 60715)
Weight	g	300

**Operations**

Mechanical life	cycles	15 million
Electrical life	cycles	50 million

**Ambient conditions**

Operating temperature			
	min	°C	-25
	max	°C	+70

Storage temperature

min	°C	-25
max	°C	+80

Relative humidity

%	20...90
---	---------

**Resistance & Protection**

Rated insulation voltage Ui

V	500
---	-----

Rated surge voltage

kV	6
----	---

Frontal IP degree

IP20
------

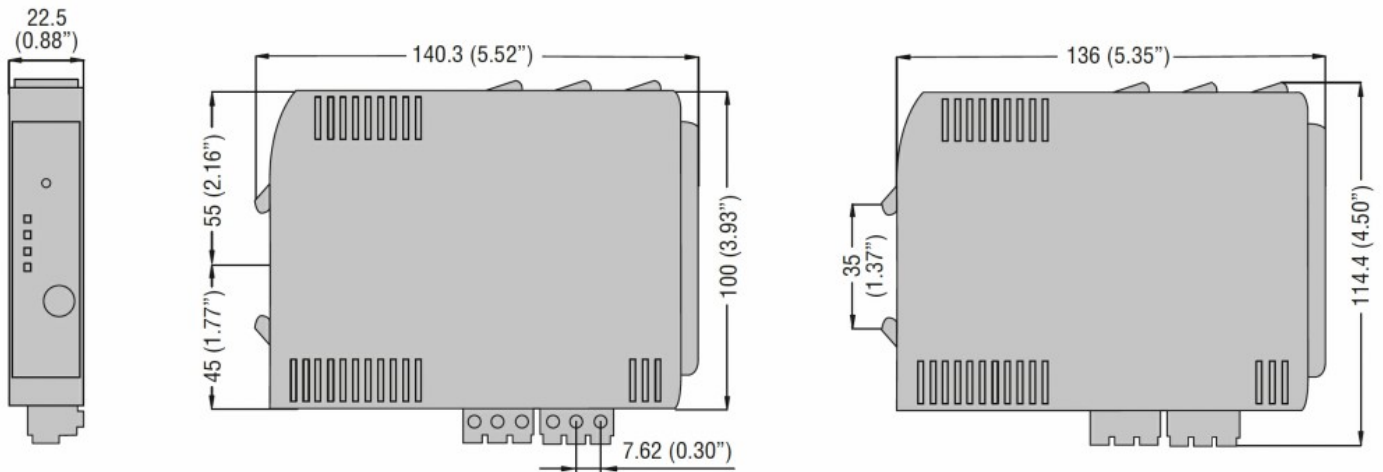
Terminals IP degree

IP20
------

Pollution degree

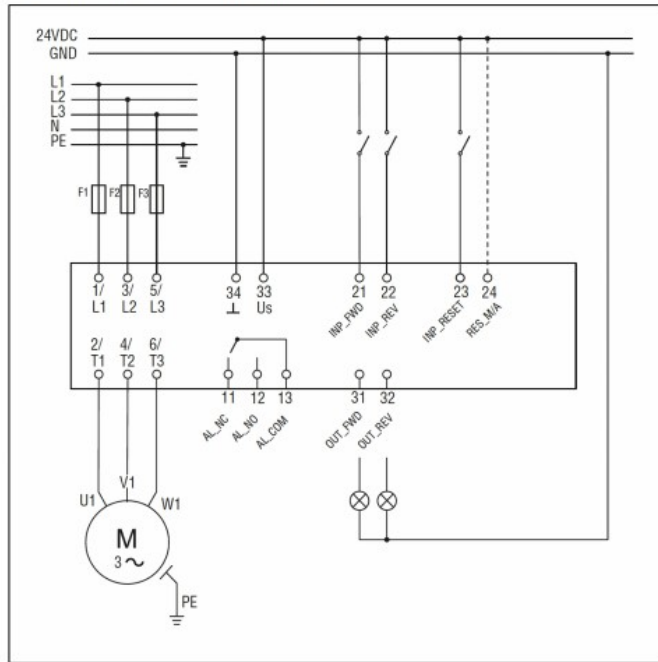
2
---

**Dimensions**

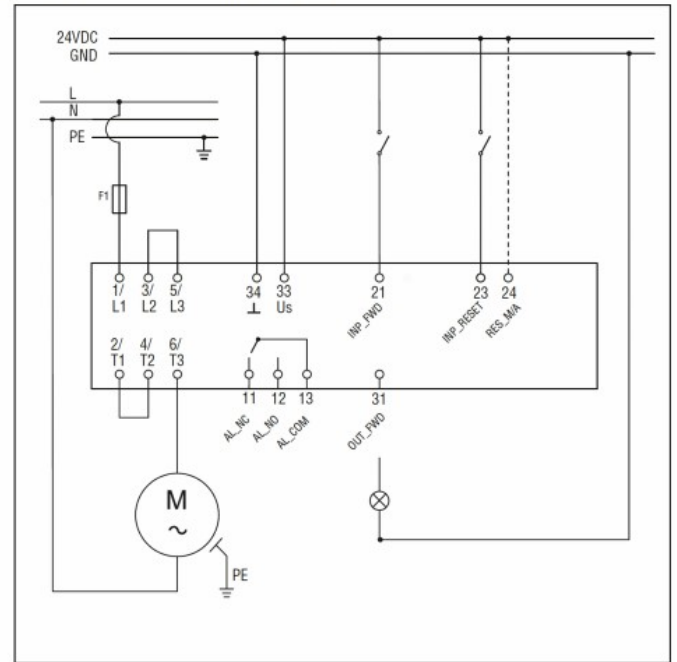


**Wiring diagrams**

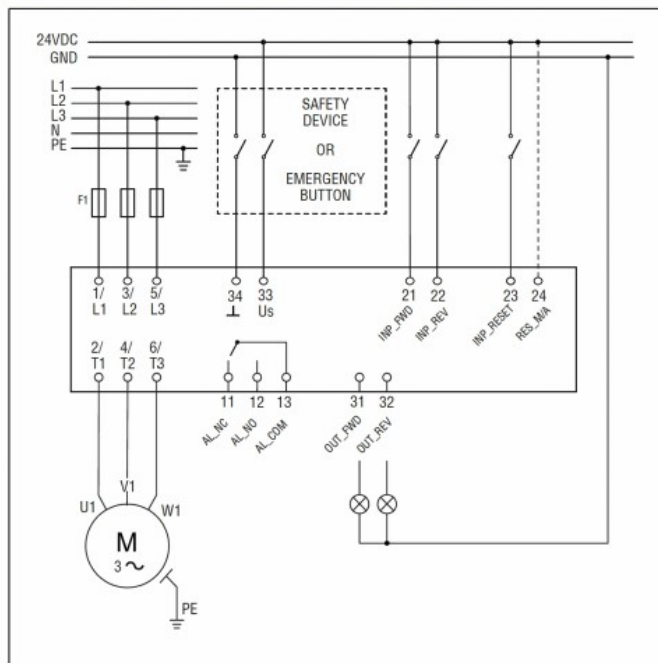
Wiring diagram for three-phase motors



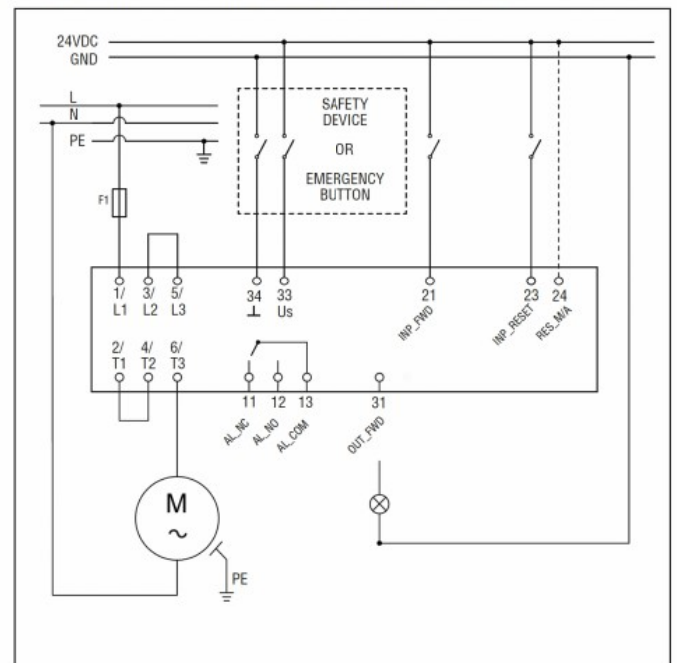
Wiring diagram for single-phase motors



Wiring diagram for three-phase motors for safety applications



Wiring diagram for single-phase motors for safety applications



**Certifications and compliance**

**Compliance**

CSA C22.2 n° 60947-4-2

IEC/EN/BS 60947-4-2

UL 60947-4-2

**Certificates**

cULus

**ETIM classification**

ETIM 8.0

EC001037 -  
Motor starter /  
Motor starter  
combination