



### Electrical features

Function	Direct-On-Line starter	
Rated operational voltage	V	40...500
Rated frequency	Hz	50/60
Auxiliary supply voltage	24VDC	
Rated current AC-3, AC-53a	A	7
Power dissipation	W	1.2...15.2
Thermal protection	Integrated, class 10A	
Thermal trip adjustment range	1.5...7A	
Safe torque Off (STO) safety function	No	

### Digital outputs

Number of outputs	Nr.	2
Output type	1 relay output with C/O contact +1 PNP digital output	
Output contacts ratings	Relay output: 3A 230V AC15, 2A 24V DC13 Digital output: 40mA 24VDC	

### Mechanical features

Terminals type	Screw		
Conductor section	AWG/kcmil conductor section		
	min	24	
	max	14	
	IEC		
	min	mm <sup>2</sup>	0.2
	max	mm <sup>2</sup>	2.5
	Tightening torque for terminals max		Nm 0.6
Cable stripping length	mm	8	

Operating position	normal	Vertical
Fixing	35mm DIN rail (IEC/EN/BS 60715)	
Weight	g	300

### Operations

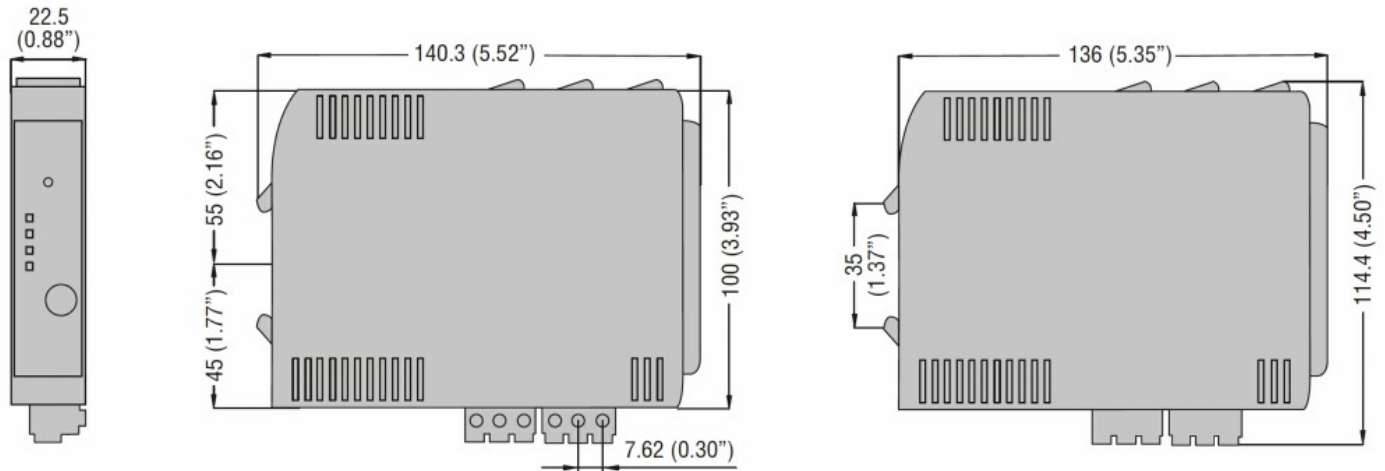
Mechanical life	cycles	15 million
Electrical life	cycles	50 million

### Ambient conditions

Operating temperature	min	°C	-25
-----------------------	-----	----	-----

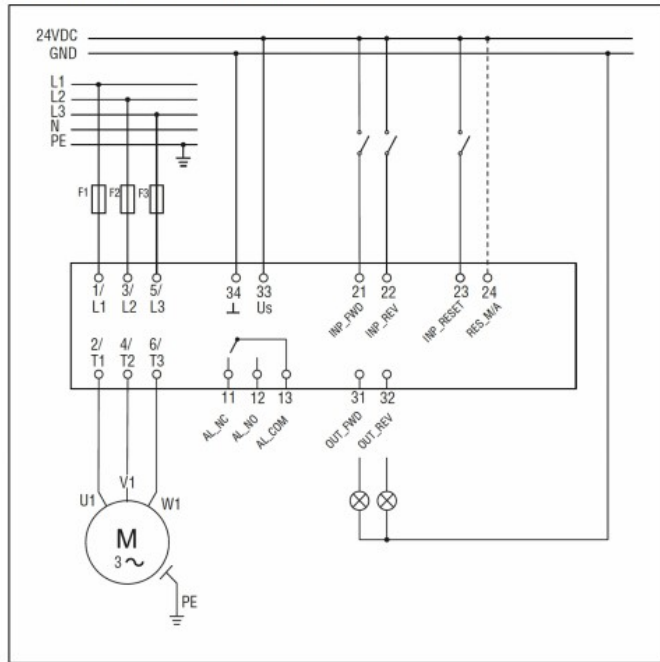
	max	°C	+70
Storage temperature	min	°C	-25
	max	°C	+80
Relative humidity		%	20...90
<b>Resistance &amp; Protection</b>			
Rated insulation voltage $U_i$	V		500
Rated surge voltage	kV		6
Frontal IP degree			IP20
Terminals IP degree			IP20
Pollution degree			2

**Dimensions**

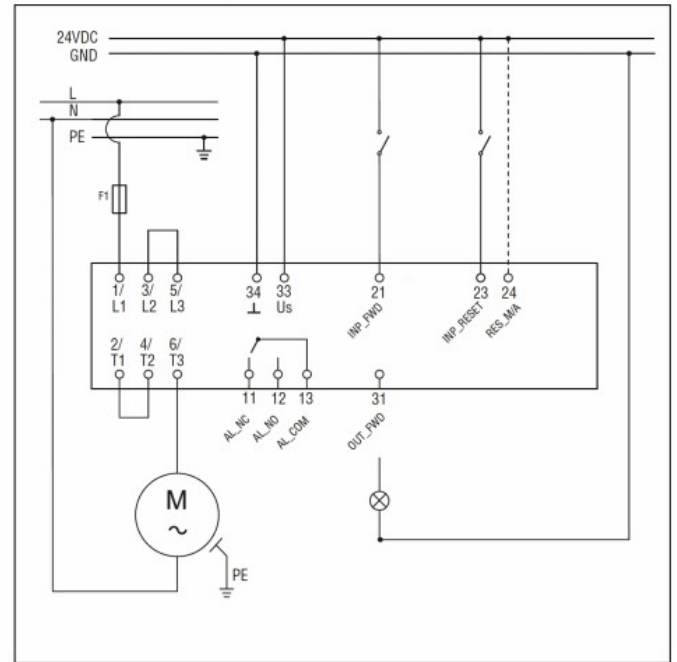


**Wiring diagrams**

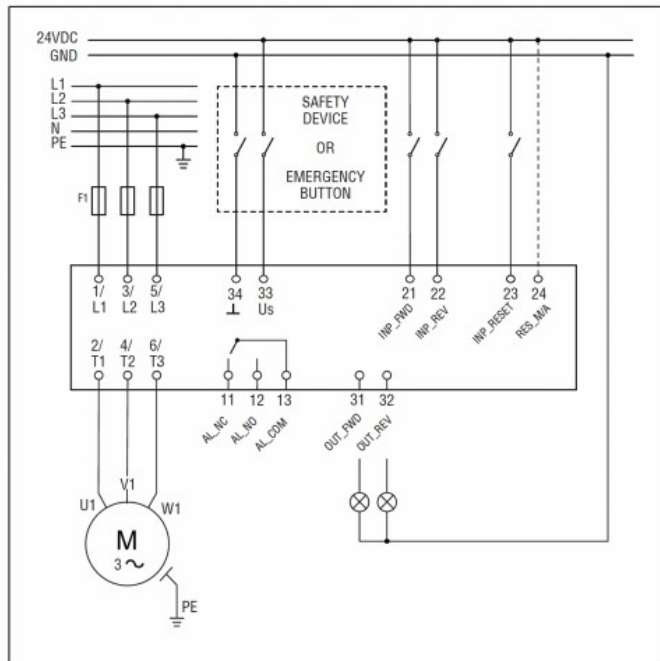
Wiring diagram for three-phase motors



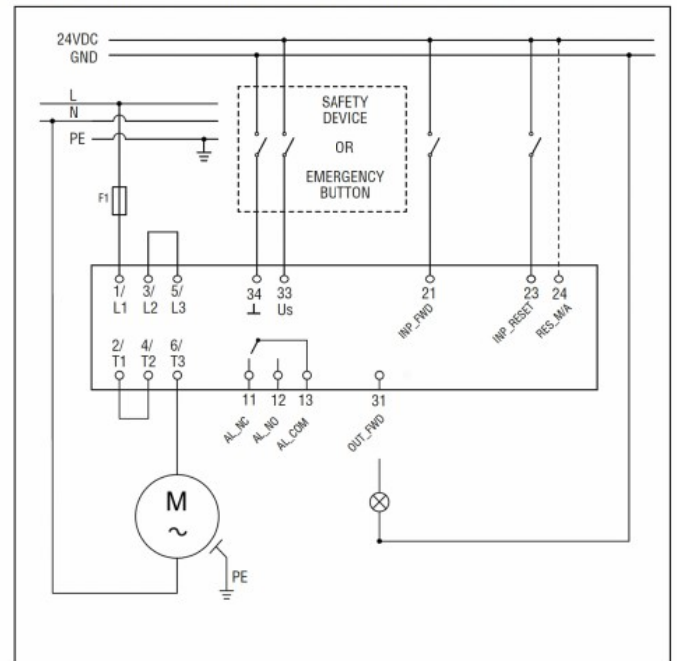
Wiring diagram for single-phase motors



Wiring diagram for three-phase motors for safety applications



Wiring diagram for single-phase motors for safety applications



**Certifications and compliance**

**Compliance**

CSA C22.2 n° 60947-4-2  
IEC/EN/BS 60947-4-2  
UL 60947-4-2

**Certificates**

cULus

**ETIM classification**

ETIM 8.0

EC001037 -  
Motor starter /  
Motor starter  
combination