



Electrical features

Function	Direct-On-Line starter	
Rated operational voltage	V	40...500
Rated frequency	Hz	50/60
Auxiliary supply voltage	24VDC	
Rated current AC-3, AC-53a	A	7
Power dissipation	W	1.2...15.2
Thermal protection	Integrated, class 10A	
Thermal trip adjustment range	1.5...7A	
Safe torque Off (STO) safety function	Built-in	
IEC 61508 Safety Integrity Level	SIL3	
ISO 13849-1 performance level	PL e	

Digital outputs

Number of outputs	Nr.	2
Output type	1 relay output with C/O contact +1 PNP digital output	
Output contacts ratings	Relay output: 3A 230V AC15, 2A 24V DC13 Digital output: 40mA 24VDC	

Mechanical features

Terminals type	Screw		
Conductor section	AWG/kcmil conductor section		
	min	24	
	max	14	
	IEC		
	min	mm ²	0.2
	max	mm ²	2.5
	Tightening torque for terminals max		Nm 0.6
Cable stripping length	mm	8	
Operating position	normal	Vertical	
Fixing	35mm DIN rail (IEC/EN/BS 60715)		
Weight	g	300	

Operations

Mechanical life	cycles	15 milion
Electrical life	cycles	50 milion

Ambient conditions

Operating temperature

min	°C	-25
max	°C	+70

Storage temperature

min	°C	-25
max	°C	+80

Relative humidity

%	20...90
---	---------

Resistance & Protection

Rated insulation voltage Ui

V	500
---	-----

Rated surge voltage

kV	6
----	---

Frontal IP degree

IP20

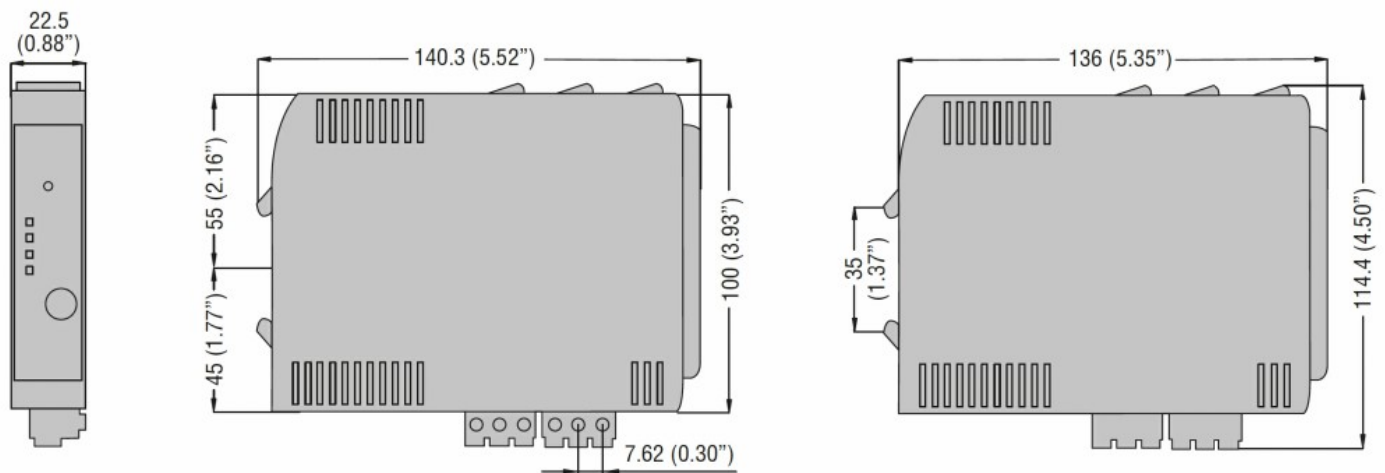
Terminals IP degree

IP20

Pollution degree

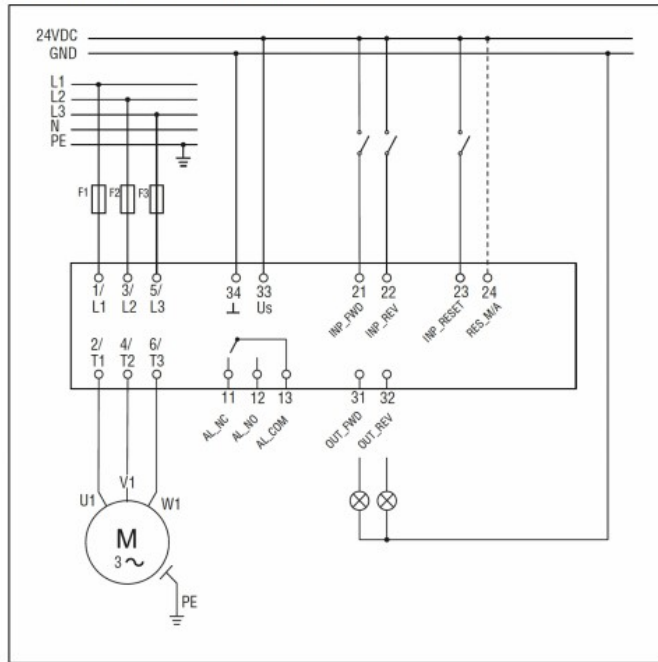
2

Dimensions

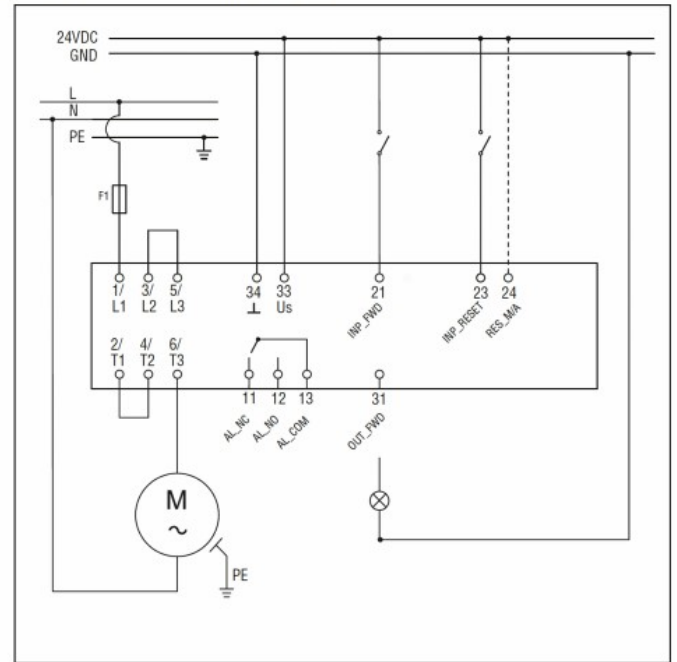


Wiring diagrams

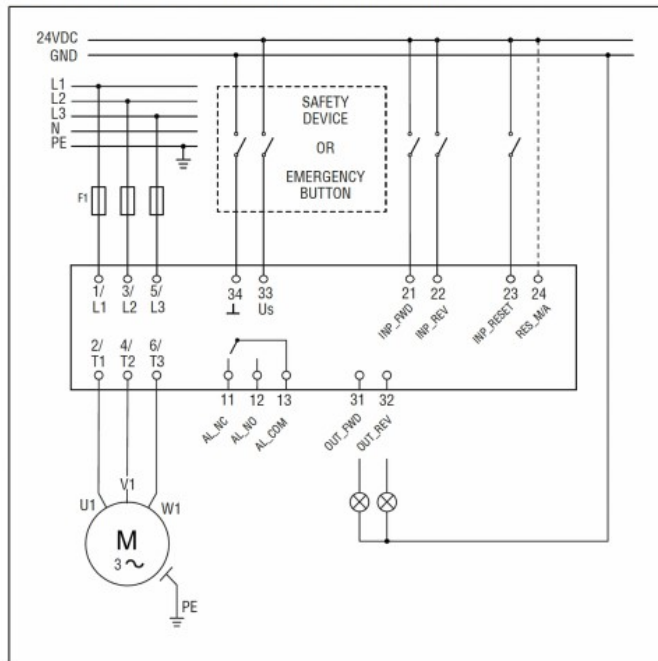
Wiring diagram for three-phase motors



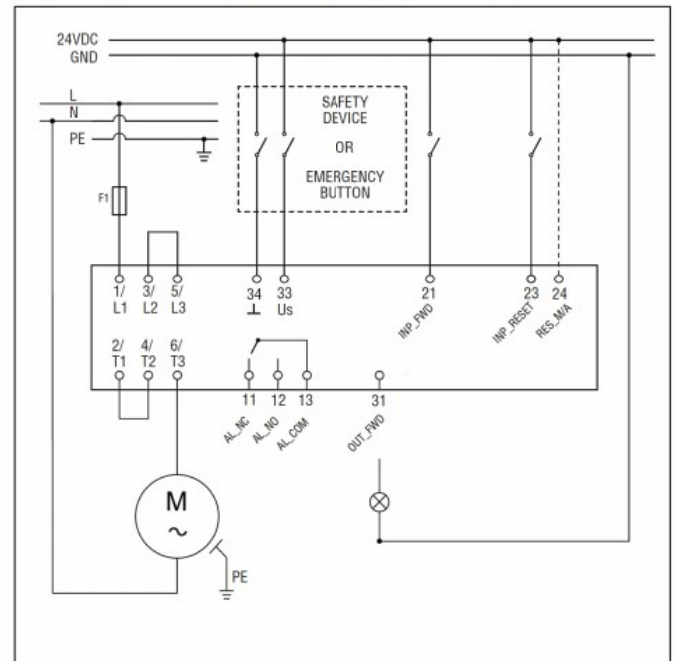
Wiring diagram for single-phase motors



Wiring diagram for three-phase motors for safety applications



Wiring diagram for single-phase motors for safety applications



Certifications and compliance

Compliance

CSA C22.2 n° 60947-4-2

IEC/EN/BS 60947-4-2

UL 60947-4-2

Certificates

cULus

ETIM classification

ETIM 8.0

EC001037 -
Motor starter /
Motor starter
combination