



Electrical features			
Function			Reversing starter
Rated operational voltage	V		40...500
Rated frequency	Hz		50/60
Auxiliary supply voltage			24VDC
Rated current AC-3, AC-53a	A		7
Power dissipation	W		1.2...15.2
Thermal protection			Integrated, class 10A
Thermal trip adjustment range			1.5...7A
Safe torque Off (STO) safety function			Built-in
IEC 61508 Safety Integrity Level			SIL3
ISO 13849-1 performance level			PL e

Digital outputs			
Number of outputs	Nr.		3
Output type			1 relay output with C/O contact +2 PNP digital outputs
Output contacts ratings			Relay output: 3A 230V AC15, 2A 24V DC13 Digital outputs: 40mA 24VDC

Mechanical features			
Terminals type			Screw
Conductor section	AWG/kcmil conductor section		
		min	24
		max	14
	IEC	min	mm ² 0.2
		max	mm ² 2.5
	Tightening torque for terminals	max	Nm 0.6
Cable stripping length		mm	8
Operating position		normal	Vertical
Fixing			35mm DIN rail (IEC/EN/BS 60715)
Weight		g	300

Operations			
Mechanical life		cycles	15 milion
Electrical life		cycles	50 milion

Ambient conditions			
Operating temperature			

	min	°C	-25
	max	°C	+70

Storage temperature

	min	°C	-25
	max	°C	+80

Relative humidity		%	20...90
-------------------	--	---	---------

Resistance & Protection

Rated insulation voltage Ui	V	500
-----------------------------	---	-----

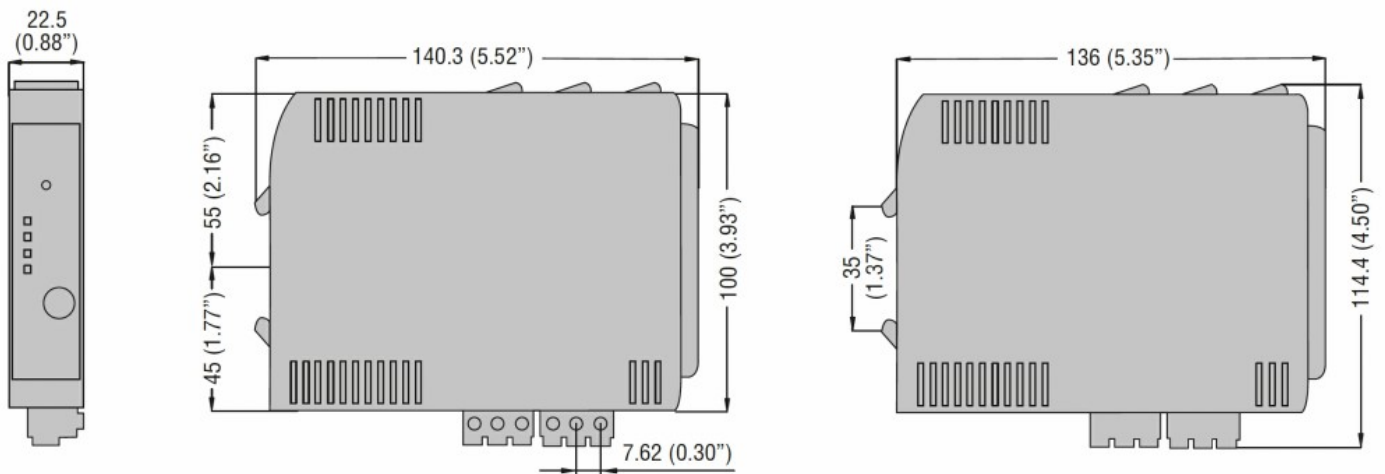
Rated surge voltage	kV	6
---------------------	----	---

Frontal IP degree		IP20
-------------------	--	------

Terminals IP degree		IP20
---------------------	--	------

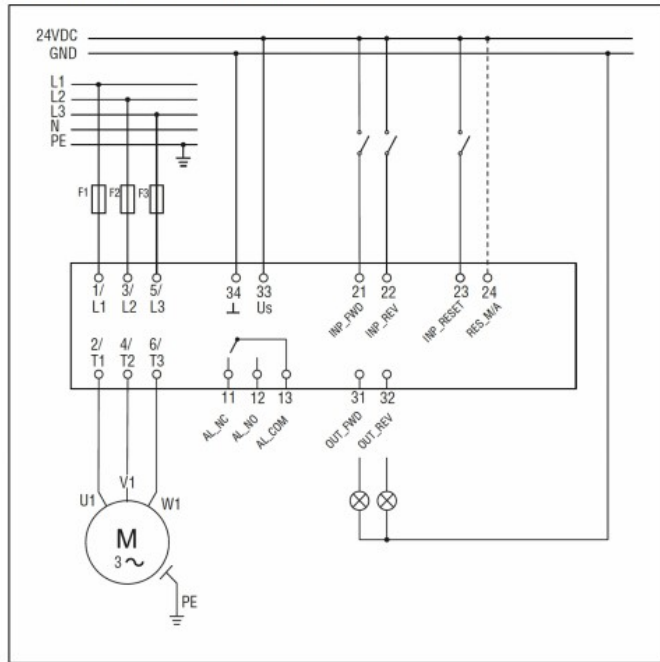
Pollution degree		2
------------------	--	---

Dimensions

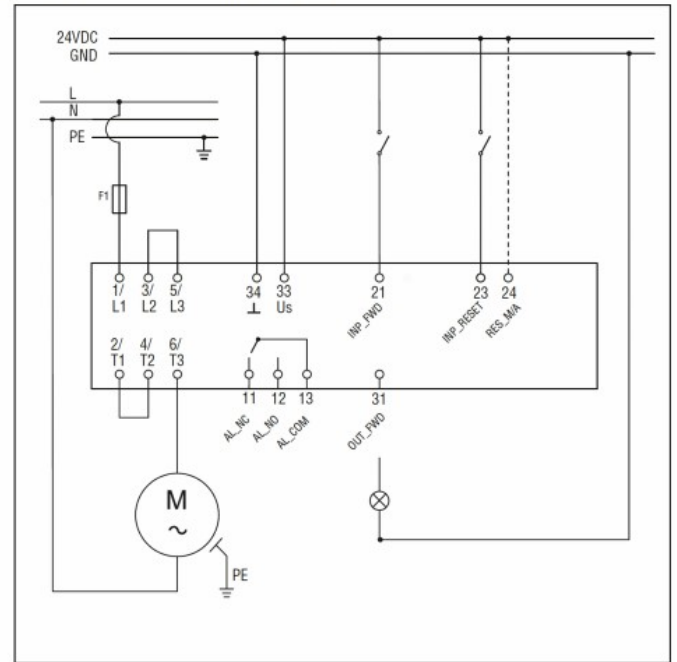


Wiring diagrams

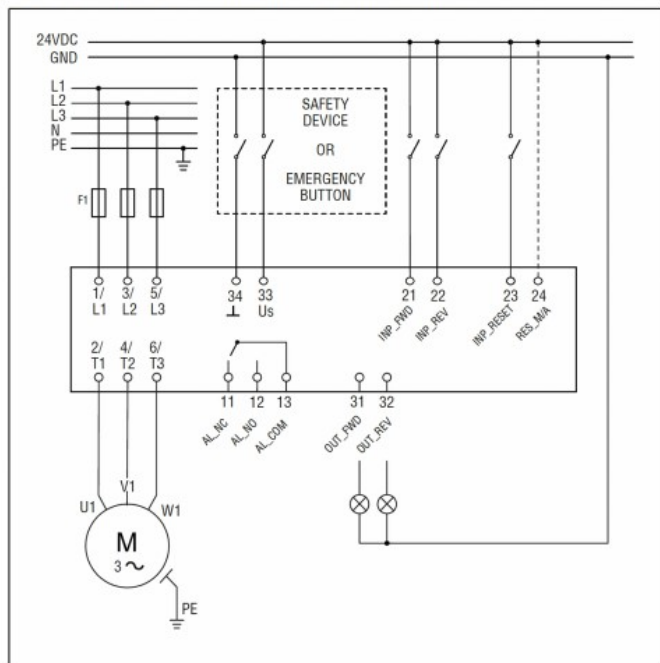
Wiring diagram for three-phase motors



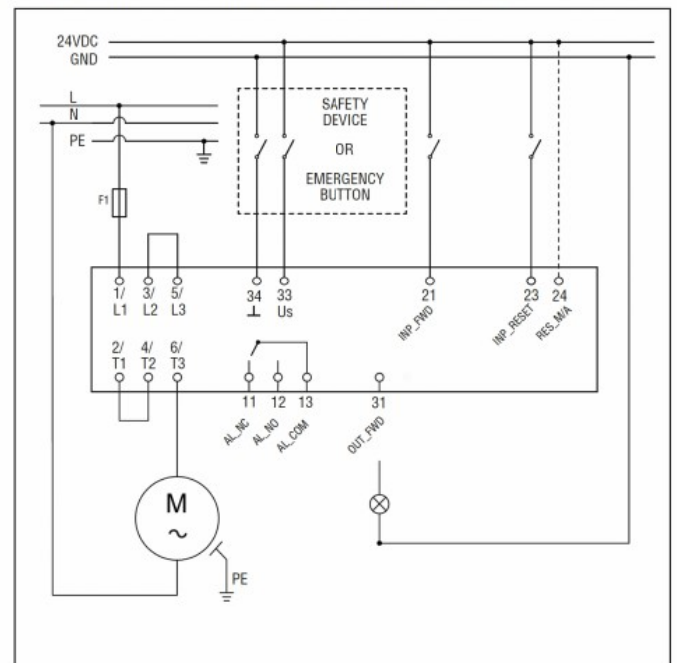
Wiring diagram for single-phase motors



Wiring diagram for three-phase motors for safety applications



Wiring diagram for single-phase motors for safety applications



Certifications and compliance

Compliance

CSA C22.2 n° 60947-4-2

IEC/EN/BS 60947-4-2

UL 60947-4-2

Certificates

cULus