



Electrical features

Rated insulation voltage U_i IEC/EN	V	1000
Rated impulse withstand voltage U_{imp}	kV	4
Rated operational voltage AC (IEC)	VAC	230...240
Rated frequency	Hz	50/60
Rated current (I_n)	A	63
Short circuit rating (IEC)	kA	25 with gG fuses rated 63A 15 with gG fuses rated 125A
Electrical life	cycles	1000

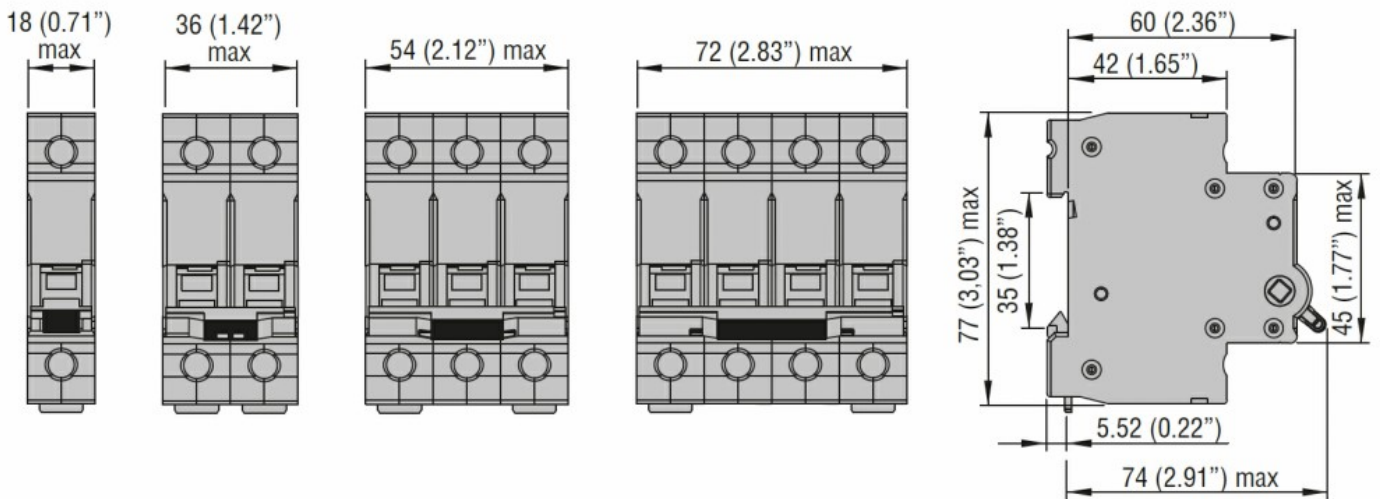
Ambient conditions

Operating temperature	min	°C	-25
	max	°C	+70
Storage temperature	min	°C	-25
	max	°C	+70
Max altitude	m		2000

Mechanical features

Operating position	normal	Vertical plan		
Fixing		35mm DIN rail		
Tightening torque for terminals	min	Nm	3.2	
	max	Nm	3.5	
	min	lbin	28.3	
	max	lbin	31	
Terminals tool		Pz2		
Conductor section	IEC	min	mm ²	1
		max	mm ²	50
	AWG/Kcmil	min		16
		max	kcmil	1
Mechanical life	cycles		7000	
Weight	g		83	
Pollution degree			3	

Dimensions



Wiring diagrams



Certifications and compliance

Compliance

IEC/EN/BS 60947-3.

Certifications

EAC

TÜV-Rheinland

ETIM classification

ETIM 8.0

EC000042 -
Miniature circuit
breaker (MCB)