



### Electrical features

Rated insulation voltage $U_i$ IEC/EN	V	1000
Rated impulse withstand voltage $U_{imp}$	kV	4
Rated operational voltage AC (IEC)	VAC	400...440
Rated frequency	Hz	50/60
Rated current ( $I_n$ )	A	63
Short circuit rating (IEC)	kA	25 with gG fuses rated 63A 15 with gG fuses rated 125A
Electrical life	cycles	1000

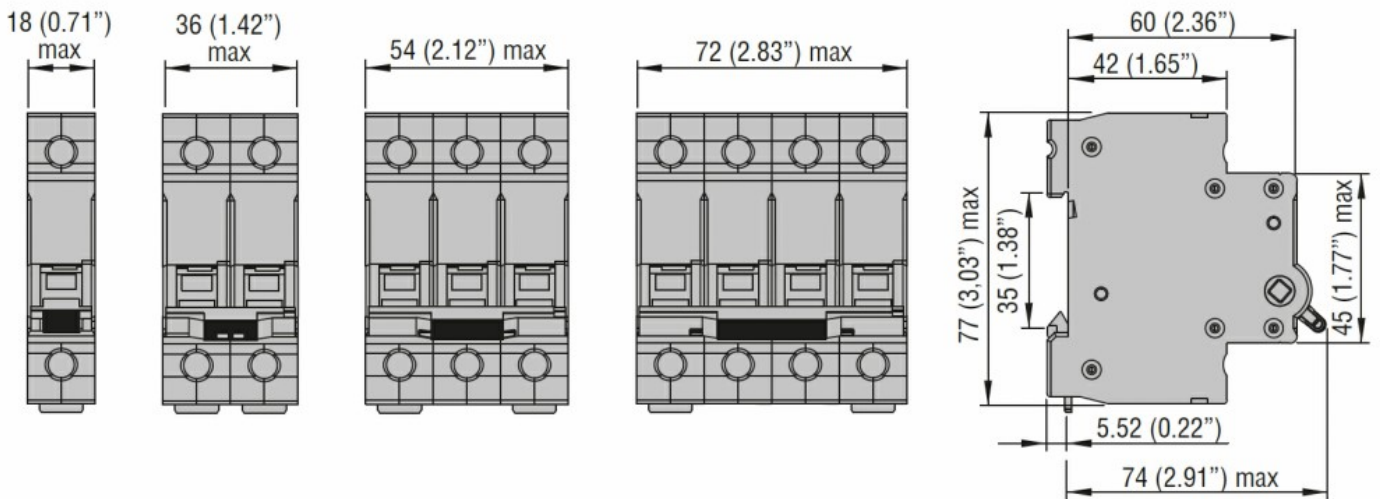
### Ambient conditions

Operating temperature	min	°C	-25
	max	°C	+70
Storage temperature	min	°C	-25
	max	°C	+70
Max altitude	m		2000

### Mechanical features

Operating position	normal	Vertical plan			
Fixing		35mm DIN rail			
Tightening torque for terminals	min	Nm	3.2		
	max	Nm	3.5		
	min	lbin	28.3		
	max	lbin	31		
Terminals tool		Pz2			
Conductor section	IEC	min	mm <sup>2</sup>	1	
		max	mm <sup>2</sup>	50	
	AWG/Kcmil	min		16	
		max	kcmil	1	
		Mechanical life		cycles	7000
		Weight		g	170
Pollution degree			3		

### Dimensions



**Wiring diagrams**



**Certifications and compliance**

Compliance

IEC/EN/BS 60947-3.

Certifications

EAC

TÜV-Rheinland

**ETIM classification**

ETIM 8.0

EC000042 -  
Miniature circuit  
breaker (MCB)