



### Electrical features

Rated insulation voltage $U_i$ IEC/EN	V	400
Rated impulse withstand voltage $U_{imp}$	kV	4
Rated operational voltage AC (IEC)	VAC	230/400
Rated frequency	Hz	50/60
Rated current ( $I_n$ )	A	63
Residual operation characteristic		B
Rated residual current	mA	300
Rated conditional short-circuit current ( $I_{nc}$ )	kA	10

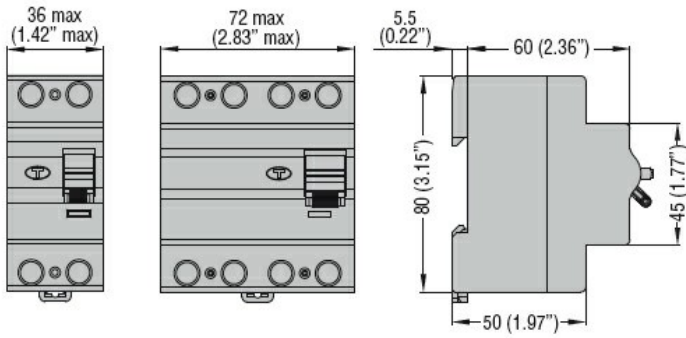
### Ambient conditions

Operating temperature	min	°C	-35
	max	°C	+40
Storage temperature	min	°C	-40
	max	°C	80
Max altitude	m		2000

### Mechanical features

Operating position	normal	Vertical plan		
Fixing		35mm DIN rail		
Tightening torque for terminals	min	Nm	1.8	
	max	Nm	2	
	min	lbin	16	
	max	lbin	17.7	
Terminals tool		Pz 2		
Conductor section	IEC	min	mm <sup>2</sup>	2.5
		max	mm <sup>2</sup>	35
	AWG/Kcmil	min		14
		max	kcmil	2
Weight		g	335	
Frontal IP degree			IP20	
Pollution degree			2	

### Dimensions

**Certifications and compliance**

## Compliance

IEC/EN/BS 61008-1

IEC/EN/BS 62423

## Certifications

TÜV-SUD

**ETIM classification**

ETIM 8.0

EC000003 -  
Residual current  
circuit breaker  
(RCCB)