



Electrical features

Rated insulation voltage U_i IEC/EN	V	400
Rated impulse withstand voltage U_{imp}	kV	4
Rated operational voltage AC (IEC)	VAC	230/400
Rated frequency	Hz	50/60
Rated current (I_n)	A	80
Residual operation characteristic		B
Rated residual current	mA	30
Rated conditional short-circuit current (I_{nc})	kA	10

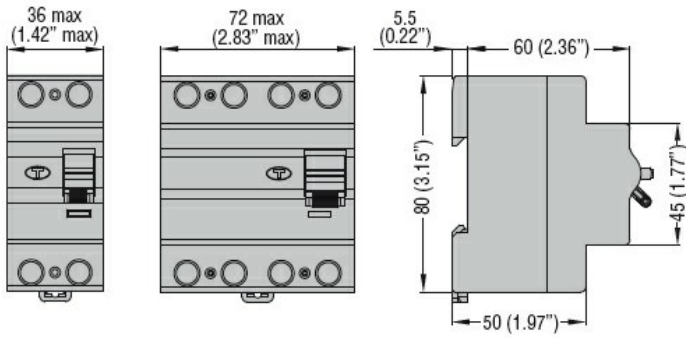
Ambient conditions

Operating temperature	min	°C	-35
	max	°C	+40
Storage temperature	min	°C	-40
	max	°C	80
Max altitude	m		2000

Mechanical features

Operating position	normal	Vertical plan		
Fixing		35mm DIN rail		
Tightening torque for terminals	min	Nm	1.8	
	max	Nm	2	
	min	lbin	16	
	max	lbin	17.7	
Terminals tool		Pz 2		
Conductor section	IEC	min	mm ²	2.5
		max	mm ²	35
	AWG/Kcmil	min		14
		max	kcmil	2
Weight		g	335	
Frontal IP degree			IP20	
Pollution degree			2	

Dimensions



Certifications and compliance

Compliance

IEC/EN/BS 61008-1

IEC/EN/BS 62423

Certifications

TÜV-SUD

ETIM classification

ETIM 8.0

EC000003 -
 Residual current
 circuit breaker
 (RCCB)