



**Electrical features**

Rated insulation voltage $U_i$ IEC/EN	V	500
Rated impulse withstand voltage $U_{imp}$	kV	2500
Rated operational voltage AC (IEC)	VAC	110...415
Rated frequency	Hz	50/60

**Ambient conditions**

Operating temperature	min	°C	-40
	max	°C	+70
Max altitude		m	2000

**Mechanical features**

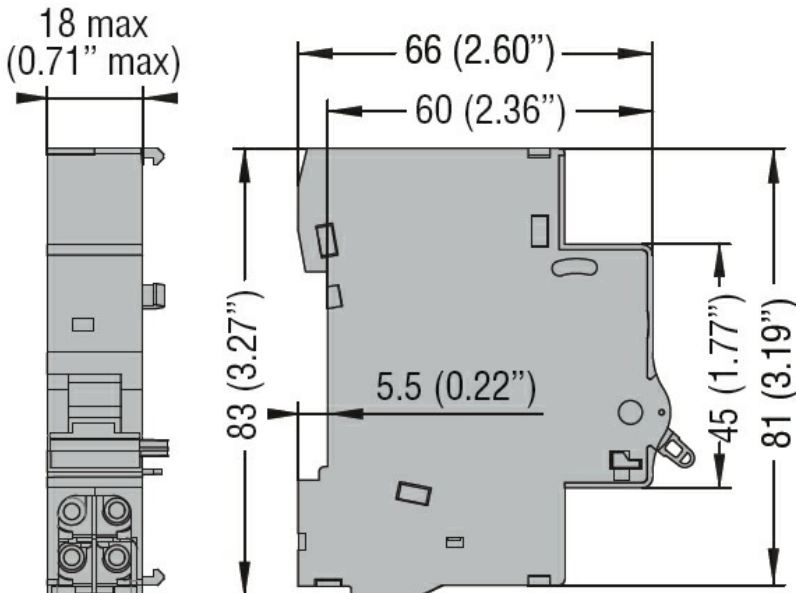
Tightening torque for terminals	max	Nm	1
	max	lbin	0.74

Conductor section	IEC	max	mm <sup>2</sup>	2.5
-------------------	-----	-----	-----------------	-----

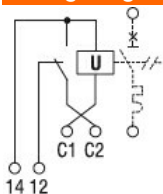
Weight	g	70
--------	---	----

Frontal IP degree		20
-------------------	--	----

**Dimensions**



**Wiring diagrams**



**Certifications and compliance**

Compliance

IEC/EN 60947-5-1. UR "UL Recognized" per Canada e USA.

Certifications

cULus

EAC

**ETIM classification**

ETIM 8.0

EC001023 -  
Shunt release  
(for power circuit  
breaker)