



General characteristics

Material	Housing	Aluminium-zinc alloy
----------	---------	----------------------

Contact characteristics

Type of contact		1NO
Thermal current I _{th}	A	10
Rated insulation voltage U _i	V	400
Short-circuit protection with fuse	Class/A	10 gG/SC QUICK FUSE
IEC Conventional free air thermal current I _{th} ≤ 40°C	A	10
Resistance per pole (average value)	mΩ	<10

Mechanical features

Operating head fixing		Fixed
Tightening torque (Max)	Switch fixing	
	Nm	2.5
	lbin	22.1

Conductor section	AWG/Kcmil		
		max	14
	IEC		
		max	mm ² 2.5

Cable connection		Screw terminal with clamp
Cable entry		PG11
Weight	g	240

Operations

Mechanical life	cycles	>10000000
Mechanical operation	cycles/h	3600

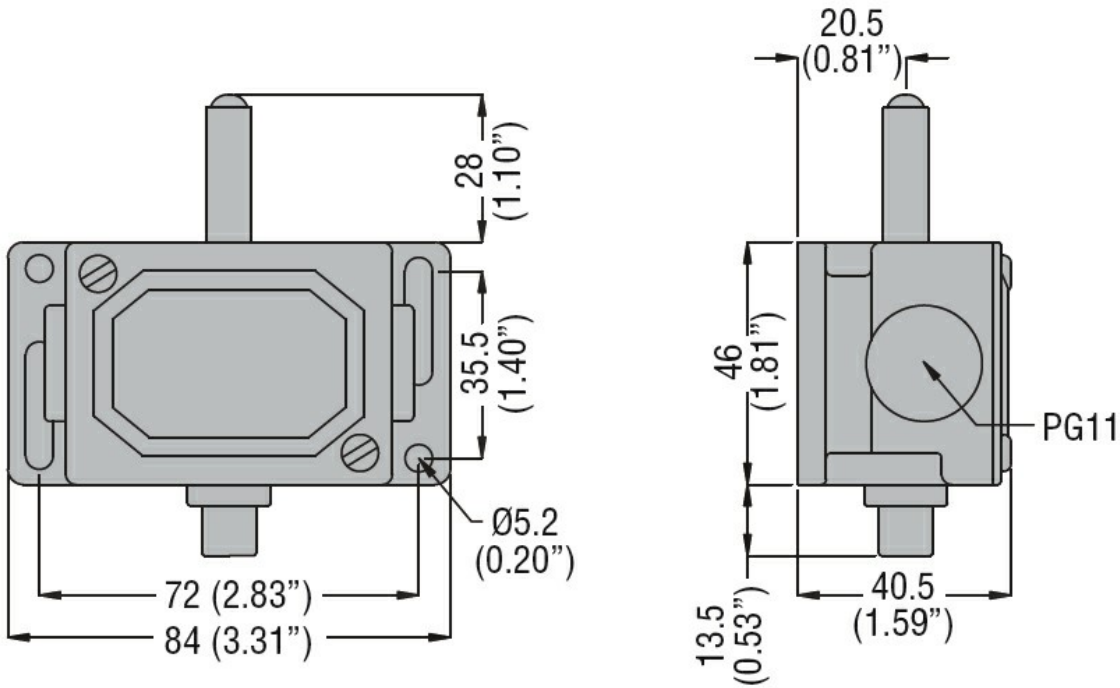
Ambient conditions

Temperature	Operating temperature	min	°C	-25
		max	°C	+70
	Storage temperature	min	°C	-40
		max	°C	+70

Resistance & Protection

IP degree	Body housing	IP40
-----------	--------------	------

Dimensions



Wiring diagrams



Certifications and compliance

Compliance

EN 81-1.

IEC/EN 60947-1

IEC/EN 60947-5-1

Certificates

EAC

ETIM classification

ETIM 8.0

EC000030 - End switch