



**General characteristics**

Material	Housing	Aluminium-zinc alloy
----------	---------	----------------------

**Contact characteristics**

Type of contact		1NO+1NC
Thermal current I <sub>th</sub>	A	10
Rated insulation voltage U <sub>i</sub>	V	400
Short-circuit protection with fuse	Class/A	10 gG/SC QUICK FUSE
IEC Conventional free air thermal current I <sub>th</sub> ≤ 40°C	A	10
Resistance per pole (average value)	mΩ	<10

**Mechanical features**

Operating head fixing		Fixed
Tightening torque (Max)	Switch fixing	
	Nm	2.5
	lbin	22.1

Conductor section	AWG/Kcmil		
		max	14
	IEC		
		max	mm <sup>2</sup> 2.5

Cable connection		Screw terminal with clamp
Cable entry		PG11
Weight	g	240

**Operations**

Mechanical life	cycles	>10000000
Mechanical operation	cycles/h	3600

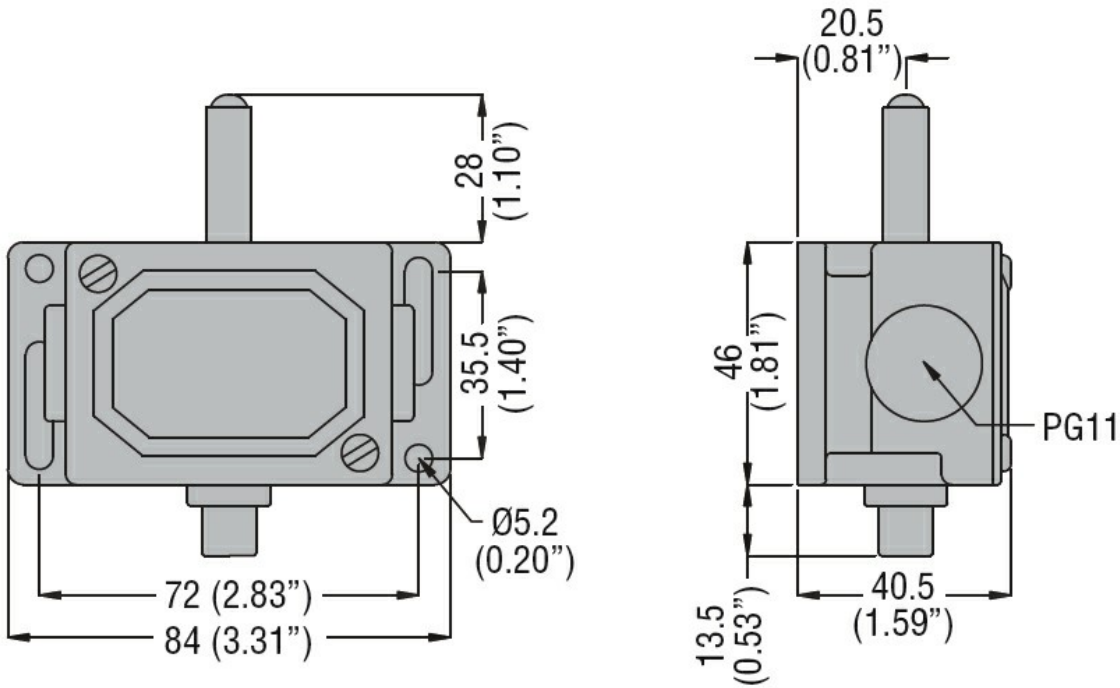
**Ambient conditions**

Temperature	Operating temperature	min	°C	-25
		max	°C	+70
	Storage temperature	min	°C	-40
		max	°C	+70

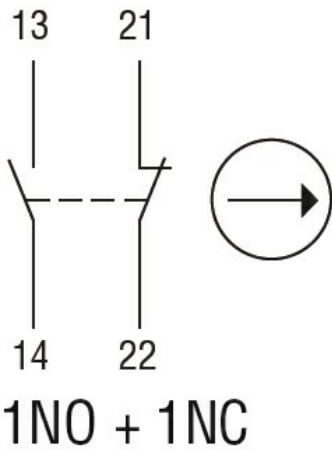
**Resistance & Protection**

IP degree	Body housing	IP40
-----------	--------------	------

**Dimensions**



**Wiring diagrams**



**Certifications and compliance**

**Compliance**

- EN 81-1.
- IEC/EN 60947-1
- IEC/EN 60947-5-1

**Certificates**

EAC

**ETIM classification**

ETIM 8.0

EC000030 - End switch