



General characteristics

Description	AC/DC maximum current monitoring relay		
Type of system	Single-phase		
Power supply			
Auxiliary supply voltage U_s	24...240VAC/DC		
Operating voltage range	0.85...1.1 U_s		
Rated frequency	Hz	50/60 $\pm 5\%$	
Power consumption Max	VA	3.2	
Power dissipation Max	W	1.6	
Control circuit			
Rated current (I_e)	A	5 or 16	
Overload capacity	5 I_e for 1s - 160A for 10ms - Constant 16A		
Connection	Direct or by current transformer		
Current set-point (% I_e)	Max	%	5...100
Tripping delay		s	0.1...30
Resetting time		s	0.1...30
Resetting hysteresis		%	1...50
Inhibition time		s	1...60
Type of reset	Automatic or manual		
External input	Resetting / Inhibition		
Repeat accuracy		%	± 1 (with constant parameters)
Relay outputs			
Number of relays	Nr.	1	
Relay state	Normally energised / De-energised (selectable)		
Contact arrangement	1 changeover SPDT		
Rated operational voltage AC (IEC)	VAC	250	
Maximum switching voltage	VAC	400	
IEC Conventional free air thermal current $I_{th} \leq 40^\circ\text{C}$	A	8	
UL/CSA and IEC/EN 60947-5-1 designation	B300		
Electrical life (with rated load)	cycles	100000	
Mechanical life	cycles	30000000	

Functions

Modular version	2U
Maximum AC/DC current	Yes
Minimum or maximum AC/DC current	No
Minimum and maximum AC/DC current	No

Indications

Indication	1 green LED for power on / inhibition and 1 red LED for tripping
------------	--

Connections

Tightening torque for terminals	max	Nm	0.8
	max	lbin	7
Conductor cross section			
AWG/Kcmil	min	AWG	24
	Max	AWG	12
IEC	min	mm ²	0.2
	Max	mm ²	4

Insulations

Rated insulation voltage Ui	V	415
Rated impulse withstand voltage Uimp	kV	4
Operating frequency withstand voltage	kV	2.5

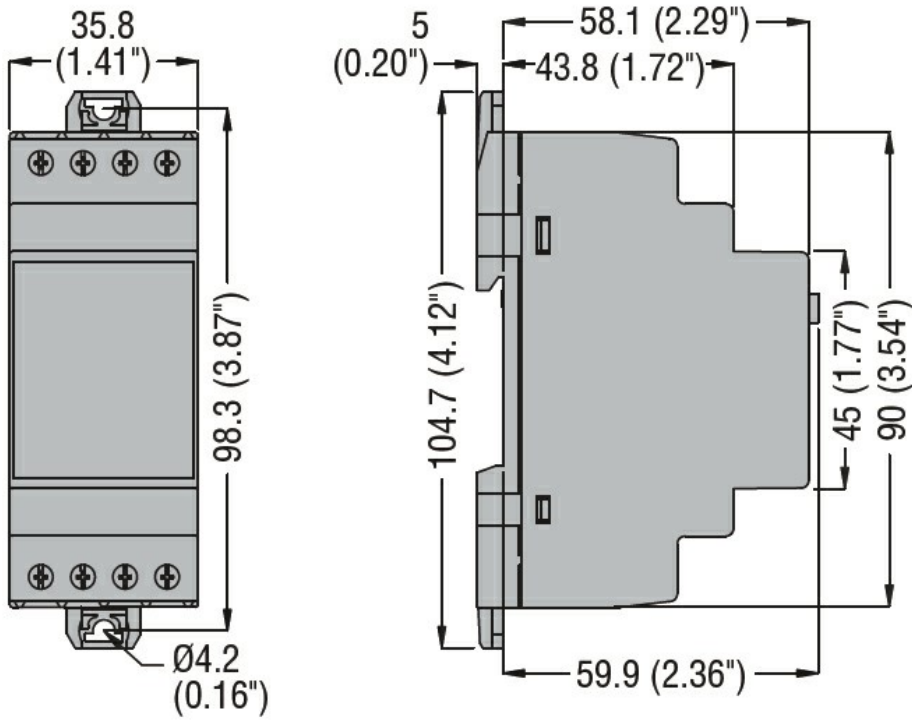
Ambient conditions

Temperature			
Operating temperature	min	°C	-20
	max	°C	+60
Storage temperature	min	°C	-30
	max	°C	+80

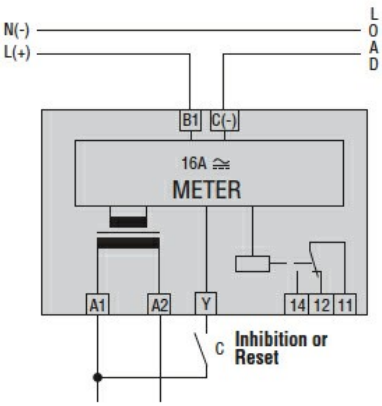
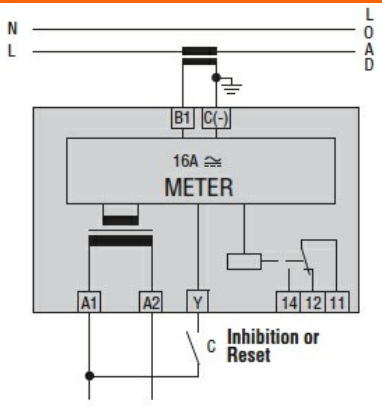
Housing

Execution (n° of modules)	2
Material	Self-extinguishing polyamide
Mounting	Modular DIN 43880 housing
IEC degree of protection	IP40 on front; IP20 at terminals
Dimensions (W x H x D)	mm 35.8 x 104.7 x 64.9
Weight	g 121

Dimensions



Wiring diagrams



Certifications and compliance

Compliance

- CSA C22.2 n° 14
- IEC/EN 60255-5
- IEC/EN 61000-6-2
- IEC/EN 61000-6-3
- UL 508

Certificates

cULus

EAC

ETIM classification

ETIM 8.0

EC001440 -
Current
monitoring relay