



General characteristics

Description				Insulation monitoring relay
Type of system				AC IT systems
Auxiliary supply				
Rated auxiliary supply voltage U_s	AC			
		min	VAC	220
		Max	VAC	240
Auxiliary operating voltage		max	U_s	1.1
		min	U_s	0.85
Power consumption	AC (Max)			
			VA	3
Power dissipation	AC (Max)			
			W	1.5
Voltage inputs				
Frequency range			Hz	50/60
Relay outputs				
Number of relays			Nr.	1
Relay state				Normally energised, de-energises at tripping
Contact arrangement				1 changeover contact SPDT each
Rated operational voltage AC (IEC)			VAC	250
Maximum switching voltage			VAC	250
IEC Conventional free air thermal current $I_{th} \leq 40^\circ\text{C}$			A	5
Electrical life (with rated load)			cycles	300000
Mechanical life			cycles	50000000
Indications				
Indication				1 green LED for power on/inhibition 1 red LED for tripping
Connections				
Terminals type				Screw
Tightening torque for terminals		max	Nm	0.5
		max	Ibin	4.5
Conductor cross section				

AWG/Kcmil

	min	AWG	24
	Max	AWG	12

IEC

	min	mm ²	0.2
	Max	mm ²	2.5

Insulations

Rated insulation voltage U_i	V	600
--------------------------------	---	-----

Rated impulse withstand voltage U_{imp}	kV	4
---	----	---

Operating frequency withstand voltage	kV	2.5
---------------------------------------	----	-----

Ambient conditions

Temperature

Operating temperature

	min	°C	-10
	max	°C	+60

Storage temperature

	min	°C	-20
	max	°C	+70

Housing

Execution (n° of modules)		3
---------------------------	--	---

Material		Self-extinguishing polycarbonate
----------	--	----------------------------------

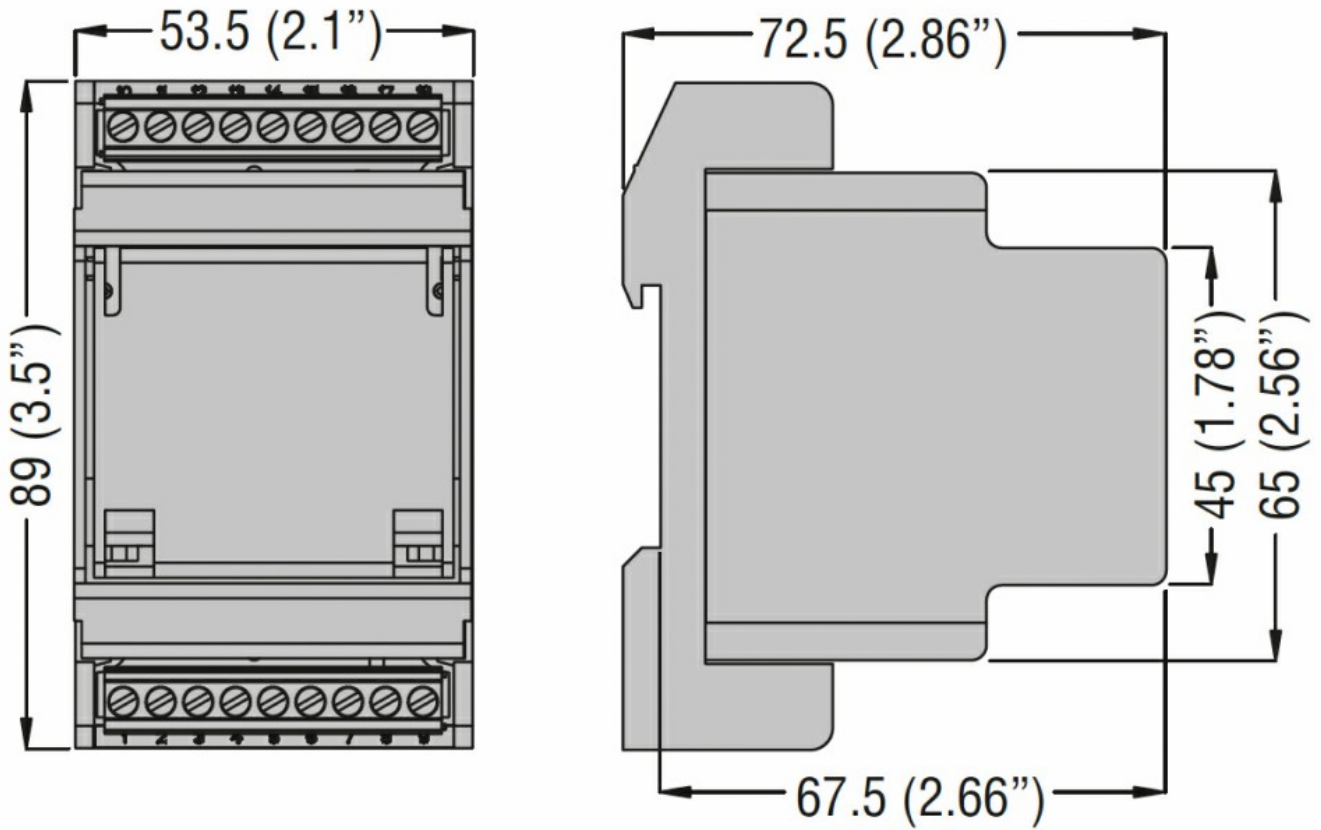
Mounting		Modular DIN 43880 housing
----------	--	---------------------------

IEC degree of protection		IP40 on front; IP20 on the terminals
--------------------------	--	---

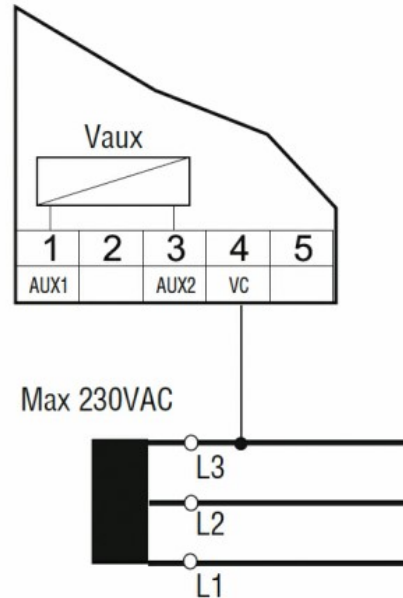
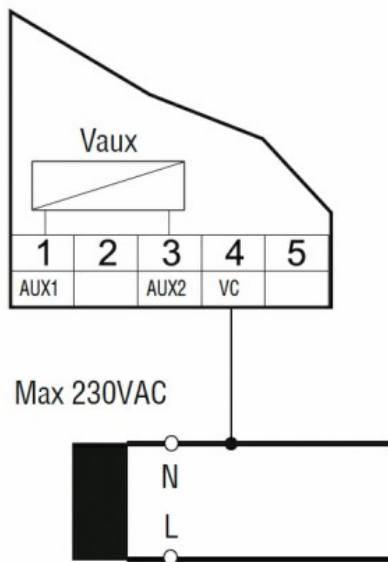
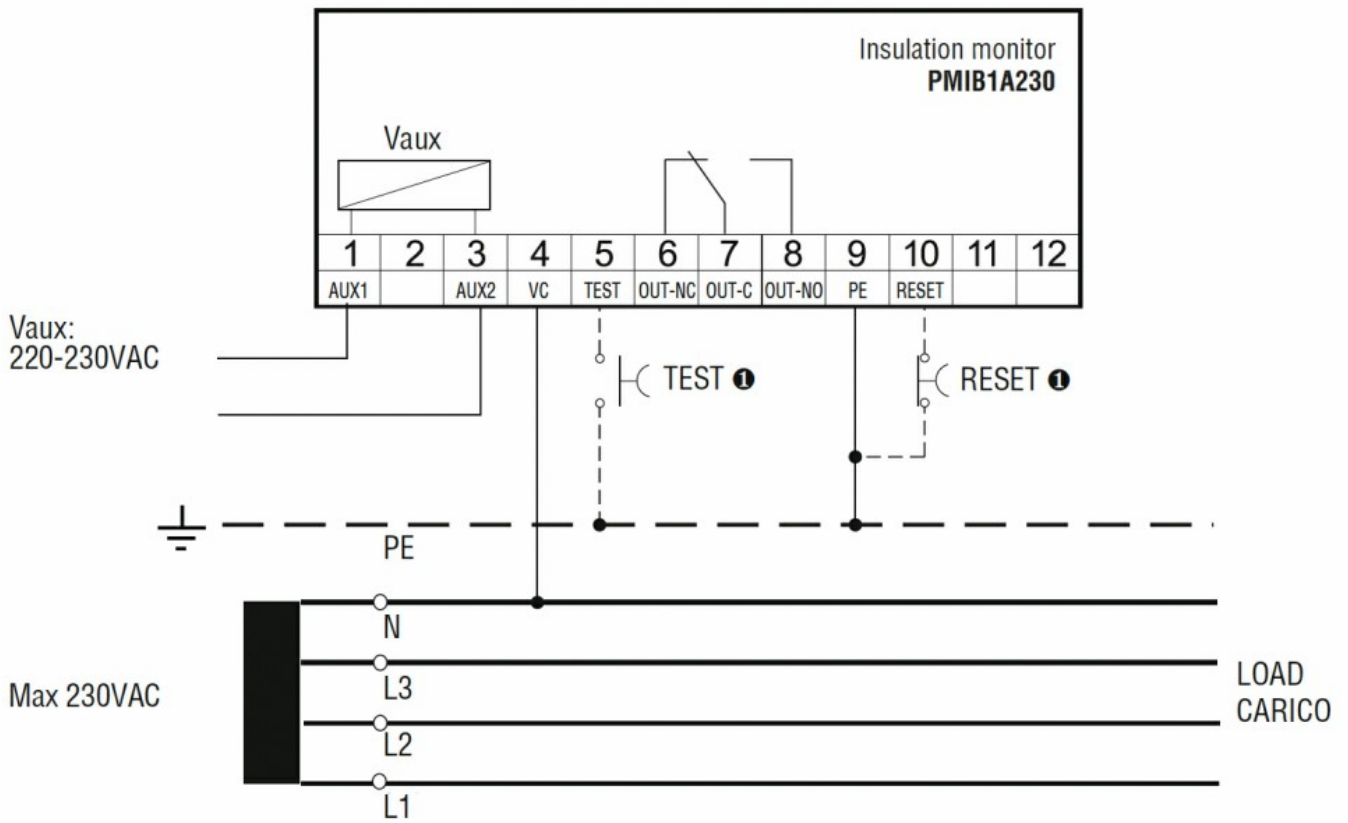
Dimensions (W x H x D)	mm	53.5x89x72.5
------------------------	----	--------------

Weight	g	200
--------	---	-----

Dimensions



Wiring diagrams



Certifications and compliance

Compliance

- IEC/EN/BS 61010-1
- IEC/EN/BS 61326-1
- IEC/EN/BS 61557-8