



General characteristics

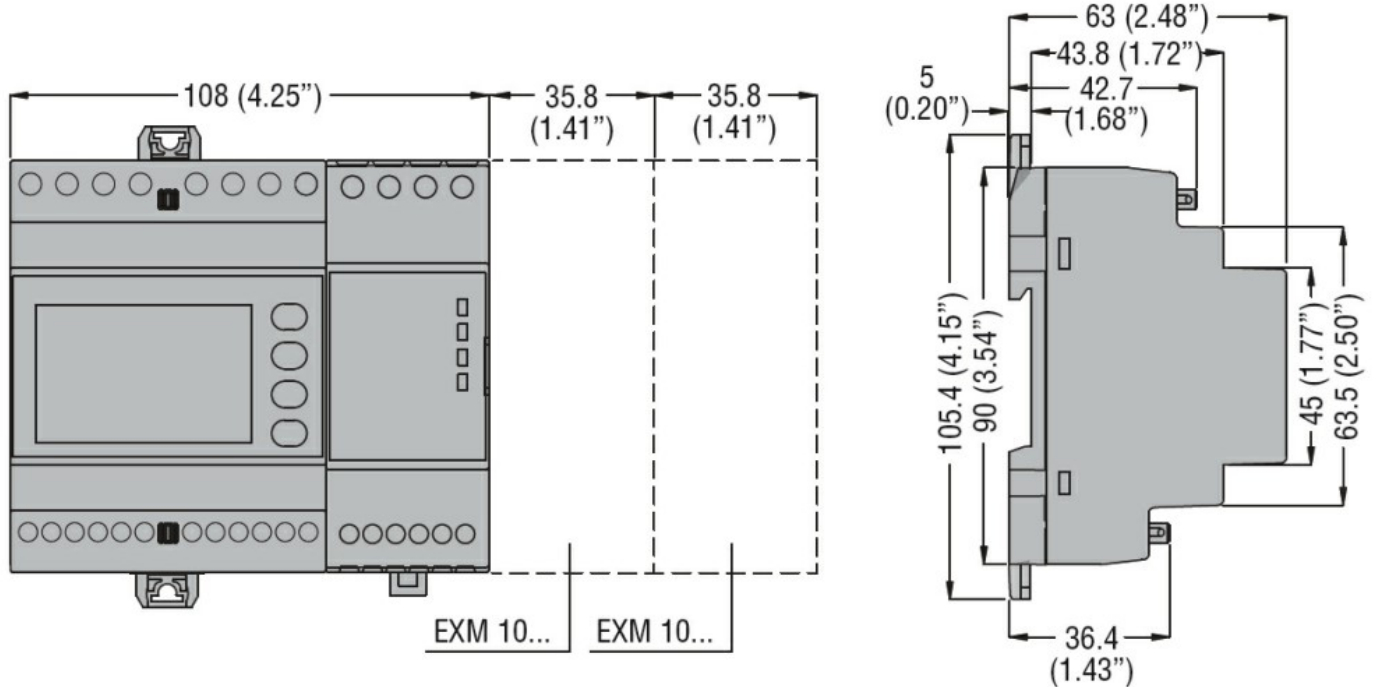
Description	System with or without neutral in low or medium voltage. Dual threshold minimum and maximum voltage and frequency protection. ROCOF and Vector shift		
Type of system	Three-phase with/without neutral		
Power supply			
Operating voltage range	85...264VAC / 93.5...300VDC		
Rated frequency	Hz	50/60	
Control circuit			
Rated current (Ie)	A	CT /5A /1A	
Auxiliary supply			
Rated auxiliary supply voltage Us			
AC	min	VAC	100
	Max	VAC	240
DC	min	VDC	110
	Max	VDC	250
Power consumption			
AC (Max)	VA	4.6VA at 110VAC; 12.5VA at 230VAC	
DC (Max)	VA	23mA at 110VDC; 11mA at 250VDC	
Power dissipation			
AC (Max)	W	2.5W at 110VAC; 2.7W at 230VAC	
DC (Max)	W	2.3W at 110VDC; 2.5W at 250VDC	

Immunity time for microbreakings	ms	≤50ms at 100VDC; ≤200ms at 240VDC
Voltage inputs		
Maximum rated operational voltage		400VAC L-L; 230VAC L-N 50/60Hz
Measurement range	V	20...480VAC L-L; 10...276VAC L-N
Frequency range	Hz	45...66
Current inputs		
Measurement range		For 1A scale: 0.01...1.2A; for 5A scale: 0.01...6A
Measurement method		RMS
Overload peak	A	50A for 1 second
Burden per phase	W	≤0.6W
Relay outputs		
Number of relays	Nr.	2
Contact arrangement		1 changeover contact/SPDT each
Rated operational voltage AC (IEC)	VAC	250
UL/CSA and IEC/EN 60947-5-1 designation		For NO contact: 5A 250VAC AC1/C300; 5A 30VDC For NC contact: 2A 250VAC AC1/C300; 2A 30VDC
Digital inputs		
Number and type of inputs		4 negative (PNP)
Input voltage		12VDC isolated
Input current	mA	7
Connections		
Terminals type		Screw - removable
Tightening torque for terminals	max	Nm 0.8
	max	Ibin 4.5
Conductor cross section		
AWG/Kcmil	min	AWG 24
	Max	AWG 12
IEC	min	mm ² 0.2
	Max	mm ² 4
Housing		
Execution (n° of modules)		6
Material		Polyamide
Mounting		Modular 6U

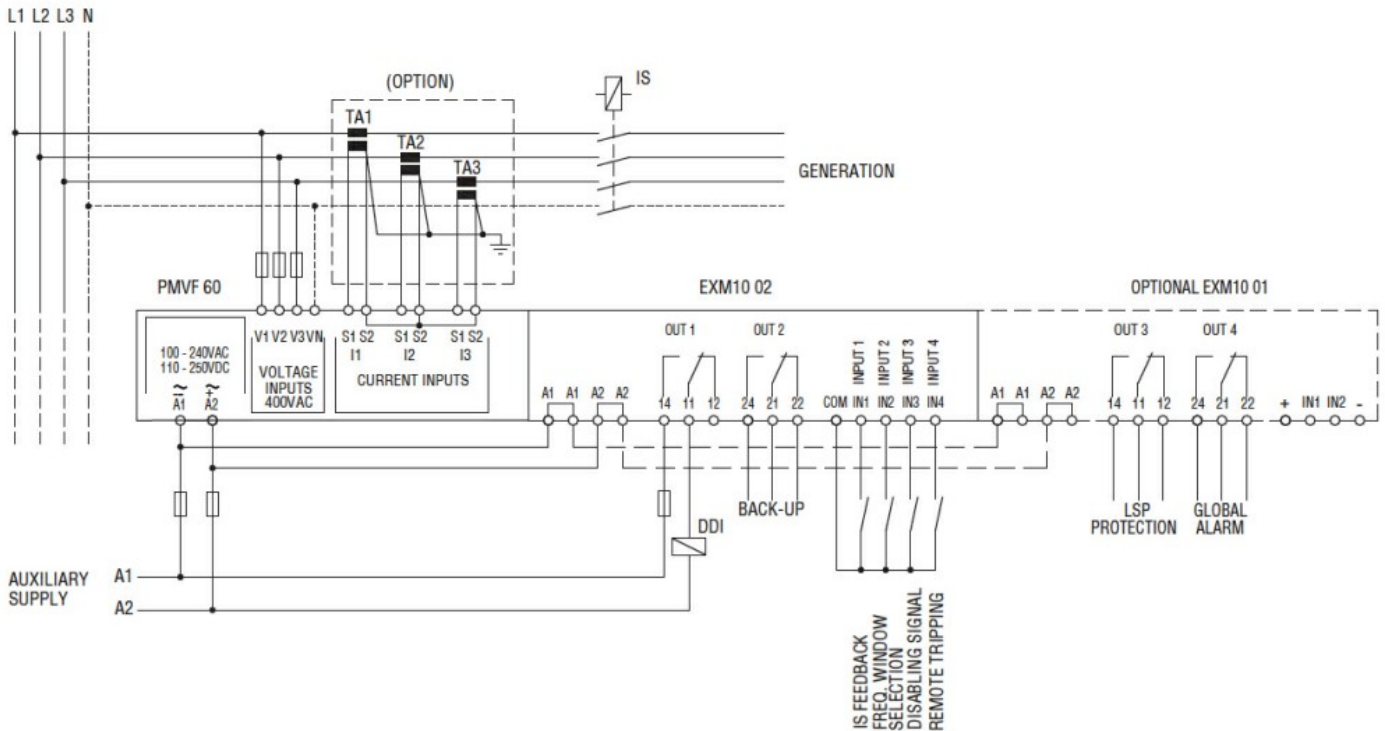
INTERFACE PROTECTION UNIT COMPLIANT WITH SHAMS DUBAI DRRG (DEWA) - SEC (SAUDI ELECTRICITY COMPANY) FOR THREE-PHASE SYSTEM, WITH OR WITHOUT NEUTRAL, LOW AND MEDIUM VOLTAGE, MIN AND MAX VOLTAGE AND FREQUENCY DUAL THRESHOLD PROTECTION, R.O.C.O.F AND VECTOR SHIFT, 230VAC - 400VAC

IEC degree of protection		IP40 on front; IP20 at terminals
Dimensions (W x H x D)	mm	108 x 105.4 x 63
Weight	g	470

Dimensions



Wiring diagrams



Certifications and compliance

Compliance

IEC/EN 60255-26

IEC/EN 60255-27

Certificates

INTERFACE PROTECTION UNIT COMPLIANT WITH SHAMS DUBAI DRRG (DEWA) - SEC (SAUDI ELECTRICITY COMPANY) FOR THREE-PHASE SYSTEM, WITH OR WITHOUT NEUTRAL, LOW AND MEDIUM VOLTAGE, MIN AND MAX VOLTAGE AND FREQUENCY DUAL THRESHOLD PROTECTION, R.O.C.O.F AND VECTOR SHIFT, 230VAC - 400VAC

SEC (Saudi Electricity Company) TECHNICAL STANDARD
SHAMS DUBAI - DRRG STARDARDS VERSION 2.0

ETIM classification

ETIM 8.0

EC001438 -
Voltage
monitoring relay