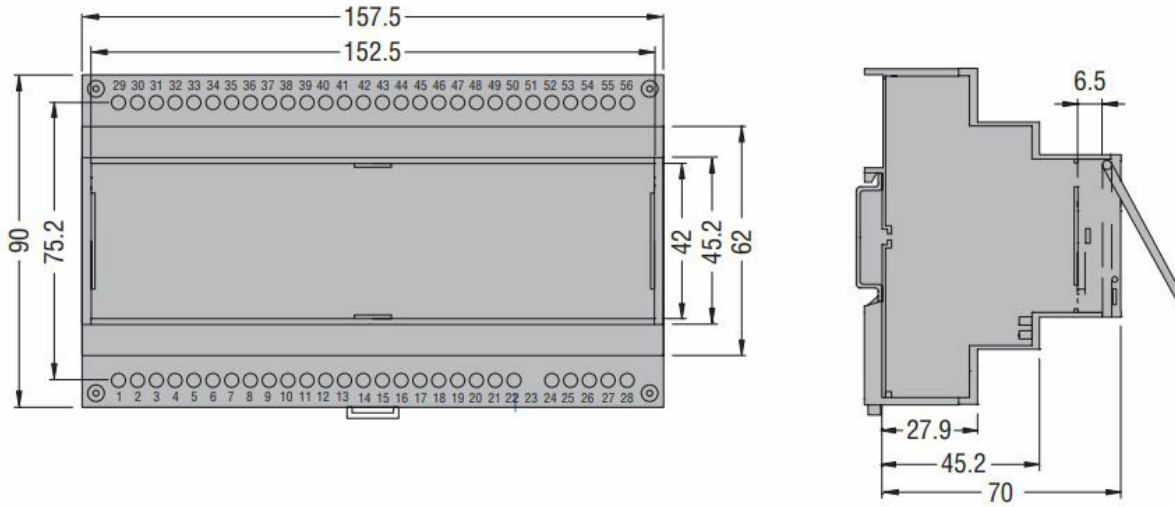




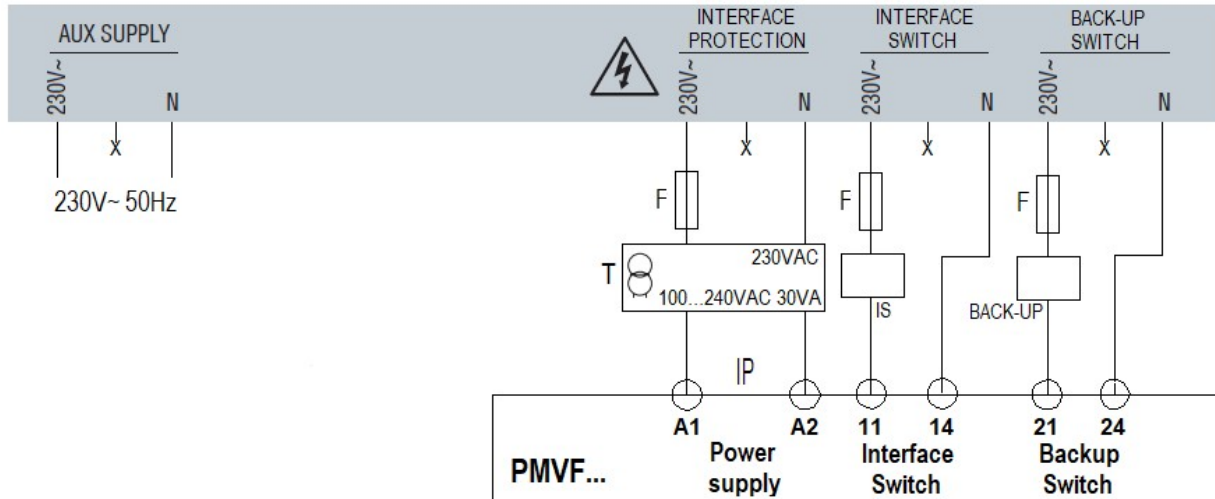
### General characteristics

Description				Backup power supply without interruption, full static technology
Type of system				Single-phase
<b>Power supply</b>				
Auxiliary supply voltage $U_s$				230VAC
Operating voltage range				100...260VAC
Rated frequency		Hz	50	
Operational frequency	min	Hz	40	
	max	Hz	65	
Protection				Fuse 5A (5x20)
<b>Power outputs</b>				
Voltage				230VAC
Frequency		Hz	50	
Protection				Fuse 5A(5x20)
Power		VA	50 total	
Available energy		Ws	645	
Time to store energy				60s
<b>Connections</b>				
Terminals type				Fixed
Tightening torque for terminals	max	Nm	0.5	
	max	lbin	4.5	
Conductor cross section	AWG/Kcmil	min	AWG	24
		Max	AWG	12
	IEC	min	mm <sup>2</sup>	0.2
		Max	mm <sup>2</sup>	2.5
<b>Ambient conditions</b>				
Temperature	Operating temperature	min	°C	-5
		max	°C	+50
<b>Housing</b>				
Execution (n° of modules)				9
Mounting				DIN rail EN 50022
IEC degree of protection				IP20
Dimensions (W x H x D)		mm	157.5 x 90 x 70	
Weight		g	430	

**Dimensions**



**Wiring diagrams**



The insulation transformer T will be mandatory if the interface protection is connected to earth (i.e. PMVF30 or PMVF3000).  
Il trasformatore di isolamento T è obbligatorio se la protezione di interfaccia è collegata a terra (es. PMVF30 o PMVF3000).

**Certifications and compliance**

Compliance

IEC/EN/BS 61010-1

**ETIM classification**

ETIM 8.0

EC002540 - DC-  
power supply