



|                                     |                          |                           |       |
|-------------------------------------|--------------------------|---------------------------|-------|
| Product designation                 | Switching power supplies |                           |       |
| Product type designation            | PSE1                     |                           |       |
| <b>Input characteristics</b>        |                          |                           |       |
| Input type                          | Single-phase             |                           |       |
| Rated supply voltage AC             | VAC                      | Multivoltage<br>100...240 |       |
| Operating range                     |                          |                           |       |
| AC                                  | min                      | VAC                       | 85    |
|                                     | Max                      | VAC                       | 264   |
| DC                                  | min                      | VDC                       | 120   |
|                                     | Max                      | VDC                       | 375   |
| Rated frequency                     |                          | Hz                        | 50/60 |
| Operational frequency               | min                      | Hz                        | 47    |
|                                     | max                      | Hz                        | 63    |
| Current consumption Max             |                          | mA                        | 750   |
| Power dissipation                   |                          | W                         | 5.7   |
| Insulation voltage Input/Output     | AC                       | VAC                       | 3000  |
|                                     | DC                       | VAC                       | 4242  |
| Internal fuse (250VAC)              | T2A 250VAC               |                           |       |
| <b>Output characteristics</b>       |                          |                           |       |
| Rated output voltage DC             |                          | VDC                       | 24    |
| Voltage trimming (potentiometer) DC | min                      | VDC                       | 22.5  |
|                                     | Max                      | VDC                       | 28.5  |
| Rated output current                |                          | A                         | 1.25  |
| Rated output power                  |                          | W                         | 30    |
| Temperature coefficient             |                          | %/°C                      | ±0.03 |
| Line adjustment                     |                          | %                         | ±1    |
| Load adjustment                     |                          | %                         | ±1    |
| Efficiency                          |                          | %                         | 86    |
| Overload protection                 | 1.4                      |                           |       |
| Overvoltage protection              | min 28.8V / max 32.4V    |                           |       |
| Short-circuit protection            | Hiccup                   |                           |       |
| Ripple & noise                      |                          | mV                        | 100   |
| Parallel connection                 |                          | Nr.                       | No    |
| <b>Indications</b>                  |                          |                           |       |
| LED indicator for power on          | Yes                      |                           |       |
| LED indicator for low voltage       | No                       |                           |       |
| Power Rdy (Ready - minimum limit)   | No                       |                           |       |

**Connections**

|                                 |       |                 |        |
|---------------------------------|-------|-----------------|--------|
| Terminals type                  | Screw |                 |        |
| Tightening torque for terminals | max   | Nm              | 0.5    |
|                                 | max   | lbin            | 5      |
| Conductor cross section         |       |                 |        |
| AWG/Kcmil                       | min   | AWG             | 26     |
|                                 | Max   | AWG             | 12     |
| IEC                             | min   | mm <sup>2</sup> | 0.2    |
|                                 | Max   | mm <sup>2</sup> | 2.5    |
| Cable stripping length          |       |                 | mm 4-5 |

**Ambient conditions**

|                          |     |    |                         |
|--------------------------|-----|----|-------------------------|
| Temperature              |     |    |                         |
| Operating temperature    | min | °C | -25                     |
|                          | max | °C | +71                     |
| Storage temperature      | min | °C | -40                     |
|                          | max | °C | +85                     |
| Derating                 |     |    | %/°C 2.5%/°C above 50°C |
| Relative humidity        |     |    | % <95%                  |
| Maximum Pollution degree |     |    | 2                       |
| Max altitude             |     |    | m 5000                  |

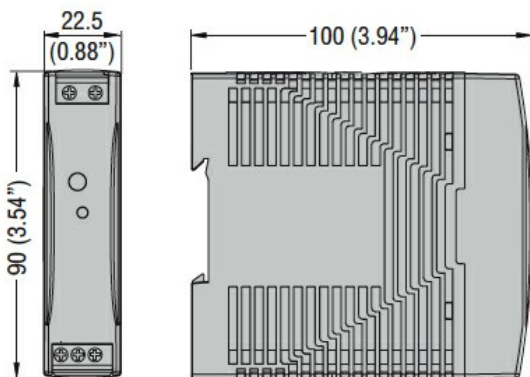
**Housing**

|                          |         |                 |  |
|--------------------------|---------|-----------------|--|
| Material                 | Plastic |                 |  |
| IEC degree of protection | IP20    |                 |  |
| Dimensions (W x H x D)   | mm      | 22.5 x 90 x 100 |  |
| Weight                   | g       | 140             |  |

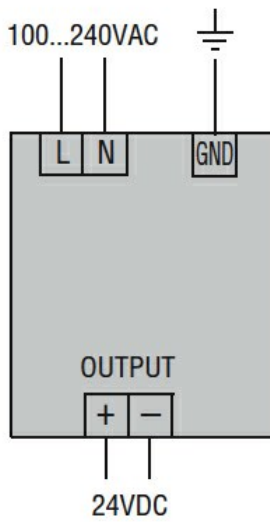
**Installations**

|                       |   |  |  |
|-----------------------|---|--|--|
| Mounting              | On 35mm DIN rail                          |  |  |
| Installation position | Vertical (other directions with derating) |  |  |
| Cooling System        | Free air convection                       |  |  |

**Dimensions**



**Wiring diagrams**



### Certifications and compliance

#### Compliance

CSA C22.2 n° 107.1.  
IEC/EN/BS 61000-6-2  
IEC/EN/BS 61000-6-3  
IEC/EN/BS 62368-1  
UL 508

#### Certificates

cULus  
EAC  
RCM

### ETIM classification

ETIM 8.0

EC002540 - DC-  
power supply