



### Input characteristics

|                                 |    |     |     |                           |
|---------------------------------|----|-----|-----|---------------------------|
| Input type                      |    |     |     | Single-phase              |
| Rated supply voltage AC         |    | VAC |     | Multivoltage<br>100...240 |
| Operating range                 | AC |     |     |                           |
|                                 |    | min | VAC | 85                        |
|                                 |    | Max | VAC | 264                       |
|                                 | DC |     |     |                           |
|                                 |    | min | VDC | 120                       |
|                                 |    | Max | VDC | 375                       |
| Rated frequency                 |    |     | Hz  | 50/60                     |
| Operational frequency           |    | min | Hz  | 47                        |
|                                 |    | max | Hz  | 63                        |
| Current consumption Max         |    |     | mA  | 1300                      |
| Power dissipation               |    |     | W   | 8.8                       |
| Insulation voltage Input/Output |    | AC  | VAC | 3000                      |
|                                 |    | DC  | VAC | 4242                      |
| Internal fuse (250VAC)          |    |     |     | T2A 250VAC                |

### Output characteristics

|                                     |  |     |      |                          |
|-------------------------------------|--|-----|------|--------------------------|
| Rated output voltage DC             |  | VDC |      | 24                       |
| Voltage trimming (potentiometer) DC |  | min | VDC  | 22.5                     |
|                                     |  | Max | VDC  | 28.5                     |
| Rated output current                |  |     | A    | 2.1                      |
| Rated output power                  |  |     | W    | 50                       |
| Temperature coefficient             |  |     | %/°C | ±0.03                    |
| Line adjustment                     |  |     | %    | ±1                       |
| Load adjustment                     |  |     | %    | ±1                       |
| Efficiency                          |  |     | %    | 87                       |
| Overload protection                 |  |     |      | 1.4                      |
| Overvoltage protection              |  |     |      | min 28.8V / max<br>32.4V |
| Short-circuit protection            |  |     |      | Hiccup                   |
| Ripple & noise                      |  |     | mV   | 100                      |
| Parallel connection                 |  |     | Nr.  | No                       |

### Indications

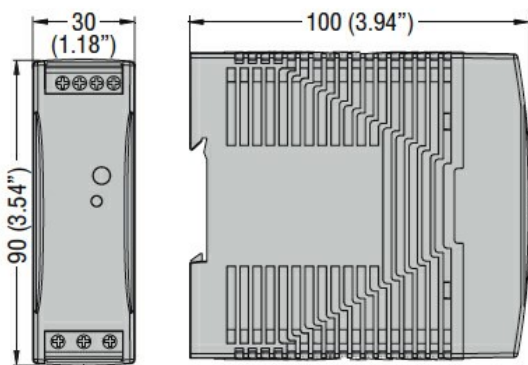
|                                   |     |
|-----------------------------------|-----|
| LED indicator for power on        | Yes |
| LED indicator for low voltage     | No  |
| Power Rdy (Ready - minimum limit) | No  |

### Connections

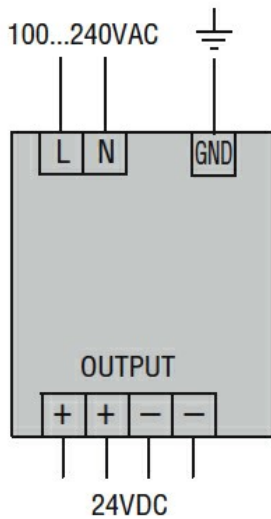
|                                 |       |
|---------------------------------|-------|
| Terminals type                  | Screw |
| Tightening torque for terminals |       |

|                                 |                       |     |                 |   |     |
|---------------------------------|-----------------------|-----|-----------------|---|-----|
|                                 |                       | max | Nm              | 0.5                                       |     |
|                                 |                       | max | lbin            | 5   |     |
| <b>Conductor cross section</b>  |                       |     |                 |   |     |
|                                 | AWG/Kcmil             | min | AWG             | 26  |     |
|                                 |                       | Max | AWG             | 12  |     |
|                                 | IEC                   | min | mm <sup>2</sup> | 0.2                                       |     |
|                                 |                       | Max | mm <sup>2</sup> | 2.5                                       |     |
| <b>Cable stripping length</b>   |                       |     |                 |   |     |
|                                 |                       |     | mm              | 4-5                                       |     |
| <b>Ambient conditions</b>       |                       |     |                 |   |     |
| <b>Temperature</b>              |                       |     |                 |   |     |
|                                 | Operating temperature |     | min             | °C  | -25 |
|                                 |                       |     | max             | °C  | +71 |
|                                 | Storage temperature   |     | min             | °C  | -40 |
|                                 |                       |     | max             | °C  | +85 |
| <b>Derating</b>                 |                       |     |                 |   |     |
|                                 |                       |     | %/°C            | 2.5%/°C above 50°C                        |     |
| <b>Relative humidity</b>        |                       |     |                 |   |     |
|                                 |                       |     | %               | <95%                                      |     |
| <b>Maximum Pollution degree</b> |                       |     |                 |   |     |
|                                 |                       |     |                 | 2   |     |
| <b>Max altitude</b>             |                       |     |                 |   |     |
|                                 |                       |     | m               | 5000                                      |     |
| <b>Housing</b>                  |                       |     |                 |   |     |
| <b>Material</b>                 |                       |     |                 |   |     |
|                                 |                       |     |                 | Plastic                                   |     |
| <b>IEC degree of protection</b> |                       |     |                 |   |     |
|                                 |                       |     |                 | IP20                                      |     |
| <b>Dimensions (W x H x D)</b>   |                       |     |                 |   |     |
|                                 |                       |     | mm              | 30 x 90 x 100                             |     |
| <b>Weight</b>                   |                       |     |                 |   |     |
|                                 |                       |     | g               | 200                                       |     |
| <b>Installations</b>            |                       |     |                 |   |     |
| <b>Mounting</b>                 |                       |     |                 |   |     |
|                                 |                       |     |                 | On 35mm DIN rail                          |     |
| <b>Installation position</b>    |                       |     |                 |   |     |
|                                 |                       |     |                 | Vertical (other directions with derating) |     |
| <b>Cooling System</b>           |                       |     |                 |   |     |
|                                 |                       |     |                 | Free air convection                       |     |

**Dimensions**



**Wiring diagrams**



**Certifications and compliance**

Compliance

- CSA C22.2 n° 107.1.
- IEC/EN/BS 61000-6-2
- IEC/EN/BS 61000-6-3
- IEC/EN/BS 62368-1
- UL 508

Certificates

- cULus
- EAC
- RCM

**ETIM classification**

ETIM 8.0

EC002540 - DC-power supply