



### Input characteristics

Input type				Single-phase
Rated supply voltage AC		VAC		Multivoltage 100...240
Operating range	AC			
		min	VAC	85
		Max	VAC	264
	DC			
		min	VDC	120
		Max	VDC	375
Rated frequency			Hz	50/60
Operational frequency		min	Hz	47
		max	Hz	63
Current consumption Max			mA	1700
Power dissipation			W	10.5
Insulation voltage Input/Output		AC	VAC	3000
		DC	VAC	4242
Internal fuse (250VAC)				T3.15A 250VAC

### Output characteristics

Rated output voltage DC		VDC		24
Voltage trimming (potentiometer) DC		min	VDC	22.5
		Max	VDC	28.5
Rated output current			A	3
Rated output power			W	72
Temperature coefficient			%/°C	±0.03
Line adjustment			%	±1
Load adjustment			%	±1
Efficiency			%	89
Overload protection				1.4
Overvoltage protection				min 28.8V / max 32.4V
Short-circuit protection				Hiccup
Ripple & noise			mV	100
Parallel connection			Nr.	No

### Indications

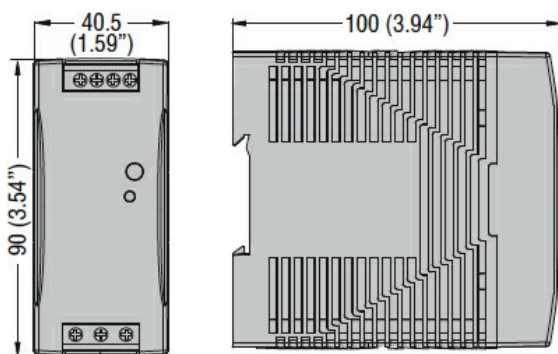
LED indicator for power on	Yes
LED indicator for low voltage	No
Power Rdy (Ready - minimum limit)	No

### Connections

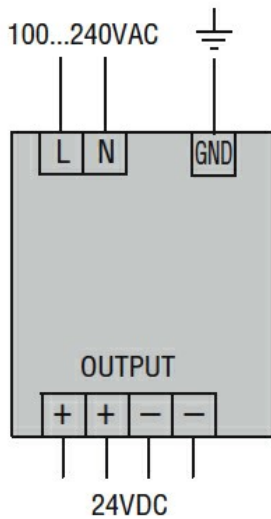
Terminals type	Screw
Tightening torque for terminals	

		max	Nm	0.5	
		max	lbin	5	
<b>Conductor cross section</b>					
	AWG/Kcmil	min	AWG	26	
		Max	AWG	12	
	IEC	min	mm <sup>2</sup>	0.2	
		Max	mm <sup>2</sup>	2.5	
<b>Cable stripping length</b>					
			mm	4-5	
<b>Ambient conditions</b>					
<b>Temperature</b>					
	Operating temperature		min	°C	-25
			max	°C	+71
	Storage temperature		min	°C	-40
			max	°C	+85
<b>Derating</b>					
			%/°C	2.5%/°C above 50°C	
<b>Relative humidity</b>					
			%	<95%	
<b>Maximum Pollution degree</b>					
				2	
<b>Max altitude</b>					
			m	5000	
<b>Housing</b>					
<b>Material</b>					
				Plastic	
<b>IEC degree of protection</b>					
				IP20	
<b>Dimensions (W x H x D)</b>					
			mm	40.5 x 90 x 100	
<b>Weight</b>					
			g	250	
<b>Installations</b>					
<b>Mounting</b>					
				On 35mm DIN rail	
<b>Installation position</b>					
				Vertical (other directions with derating)	
<b>Cooling System</b>					
				Free air convection	

**Dimensions**



**Wiring diagrams**



### Certifications and compliance

#### Compliance

CSA C22.2 n° 107.1.  
IEC/EN/BS 61000-6-2  
IEC/EN/BS 61000-6-3  
IEC/EN/BS 62368-1  
UL 508

#### Certificates

cULus  
EAC  
RCM

### ETIM classification

ETIM 8.0

EC002540 - DC-  
power supply