



Input characteristics

Input type				Single-phase
Rated supply voltage AC		VAC		Multivoltage 100...240
Operating range	AC			
		min	VAC	85
		Max	VAC	264
	DC			
		min	VDC	120
		Max	VDC	375
Rated frequency			Hz	50/60
Operational frequency		min	Hz	47
		max	Hz	63
Current consumption Max			mA	2300
Power dissipation			W	17
Insulation voltage Input/Output		AC	VAC	3000
		DC	VAC	4242
Internal fuse (250VAC)				T3.15A 250VAC

Output characteristics

Rated output voltage DC		VDC		24
Voltage trimming (potentiometer) DC		min	VDC	22.5
		Max	VDC	28.5
Rated output current			A	4.2
Rated output power			W	100
Temperature coefficient			%/°C	±0.03
Line adjustment			%	±1
Load adjustment			%	±1
Efficiency			%	88
Overload protection				1.4
Overvoltage protection				min 28.8V / max 32.4V
Short-circuit protection				Hiccup
Ripple & noise			mV	100
Parallel connection			Nr.	No

Indications

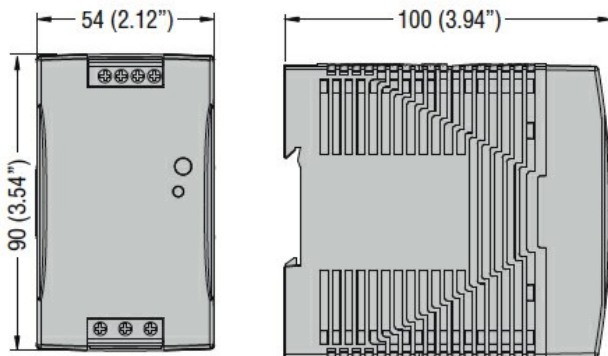
LED indicator for power on		Yes
LED indicator for low voltage		No
Power Rdy (Ready - minimum limit)		No

Connections

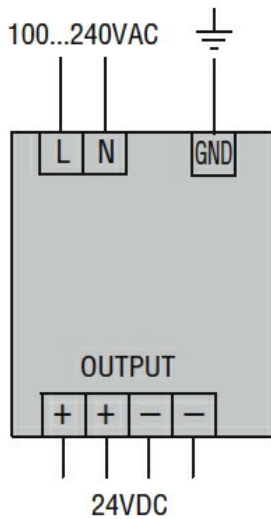
Terminals type		Screw
Tightening torque for terminals		

		max	Nm	0.5
		max	lbin	5
Conductor cross section				
	AWG/Kcmil	min	AWG	26
		Max	AWG	12
	IEC	min	mm ²	0.2
		Max	mm ²	2.5
Cable stripping length				
			mm	4-5
Ambient conditions				
Temperature				
	Operating temperature	min	°C	-25
		max	°C	+71
	Storage temperature	min	°C	-40
		max	°C	+85
Derating				
		%/°C		2.5%/°C above 45°C
Relative humidity				
		%		<95%
Maximum Pollution degree				
				2
Max altitude				
		m		5000
Housing				
Material				
				Plastic
IEC degree of protection				
				IP20
Dimensions (W x H x D)				
		mm		54 x 90 x 100
Weight				
		g		350
Installations				
Mounting				
				On 35mm DIN rail
Installation position				
				Vertical (other directions with derating)
Cooling System				
				Free air convection

Dimensions



Wiring diagrams



Certifications and compliance

Compliance

CSA C22.2 n° 107.1.

IEC/EN/BS 61000-6-2

IEC/EN/BS 61000-6-3

IEC/EN/BS 62368-1

UL 508

Certificates

cULus

EAC

RCM

ETIM classification

ETIM 8.0

EC002540 - DC-
power supply