



Input characteristics

Input type				Single-phase
Rated supply voltage AC		VAC		Multivoltage 100...240
Operating range	AC			
		min	VAC	85
		Max	VAC	264
	DC			
		min	VDC	120
		Max	VDC	375
Rated frequency			Hz	50/60
Operational frequency		min	Hz	47
		max	Hz	63
Current consumption Max			mA	2900
Power dissipation			W	17
Insulation voltage Input/Output		AC	VAC	3000
		DC	VAC	4242
Internal fuse (250VAC)				T4A 250VAC

Output characteristics

Rated output voltage DC		VDC		24
Voltage trimming (potentiometer) DC		min	VDC	22.5
		Max	VDC	28.5
Rated output current			A	5
Rated output power			W	120
Temperature coefficient			%/°C	±0.03
Line adjustment			%	±1
Load adjustment			%	±1
Efficiency			%	89
Overload protection				1.4
Overvoltage protection				min 28.8V / max 32.4V
Short-circuit protection				Hiccup
Ripple & noise			mV	100
Parallel connection			Nr.	No

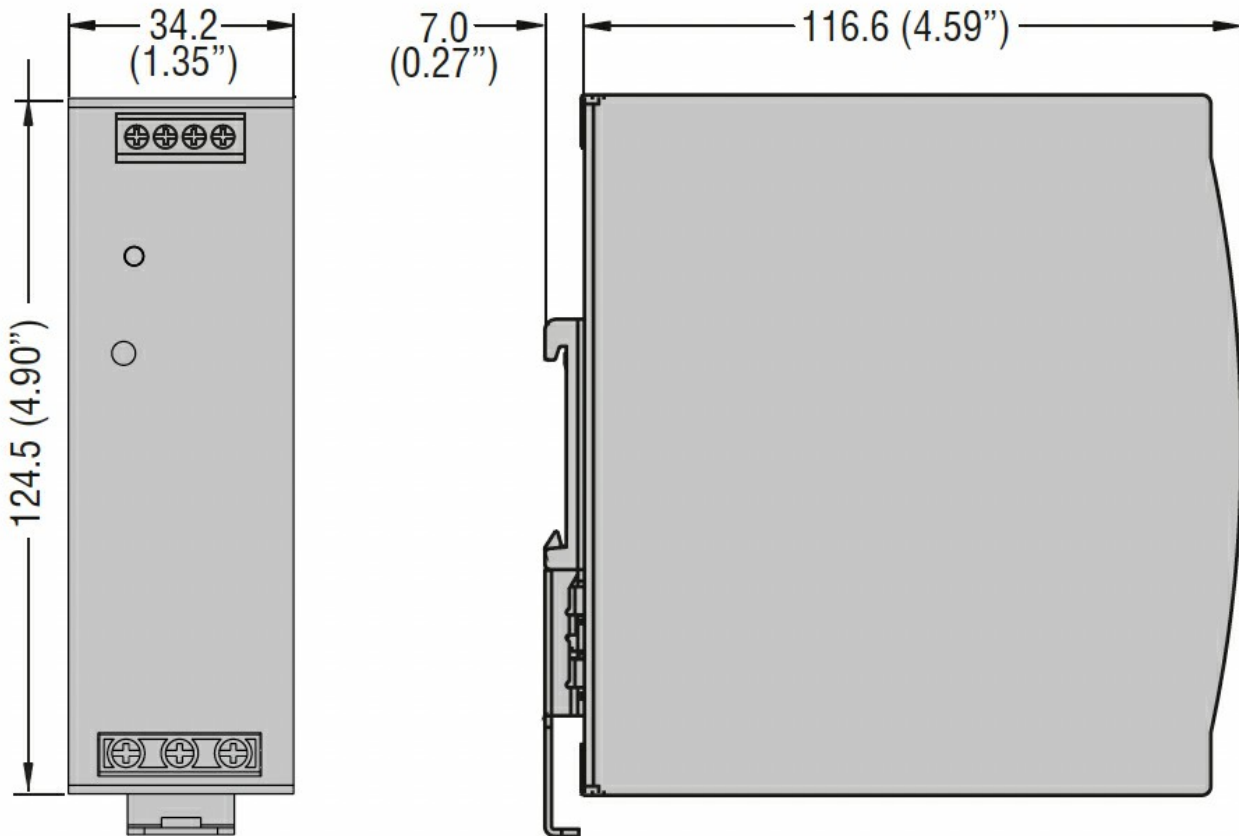
Indications

LED indicator for power on	Yes
LED indicator for low voltage	No
Power Rdy (Ready - minimum limit)	No

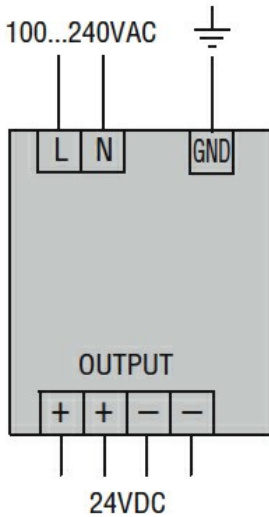
Connections

Terminals type	Screw
Tightening torque for terminals	

	max	Nm	Input: 1Nm, output: 0.6Nm
	max	Ibin	Input: 9Ibin, output: 6Ibin
Conductor cross section			
AWG/Kcmil	min	AWG	24
	Max	AWG	10
IEC			
	min	mm ²	0.2
	Max	mm ²	44
Cable stripping length			
		mm	8
Ambient conditions			
Temperature			
Operating temperature			
	min	°C	-25
	max	°C	+71
Storage temperature			
	min	°C	-40
	max	°C	+85
Derating		%/°C	2.5%/°C above 50°C
Relative humidity		%	<95%
Maximum Pollution degree			2
Max altitude		m	5000
Housing			
Material			Metal
IEC degree of protection			IP20
Dimensions (W x H x D)		mm	34.2 x 124.5 x 116.6
Weight		g	610
Installations			
Mounting			On 35mm DIN rail
Installation position			Vertical (other directions with derating)
Cooling System			Free air convection
Dimensions			



Wiring diagrams



Certifications and compliance

Compliance

CSA C22.2 n° 107.1.
IEC/EN/BS 61000-6-2
IEC/EN/BS 61000-6-3
IEC/EN/BS 62368-1
UL 508

Certificates

EAC
RCM

ETIM classification

ETIM 8.0

EC002540 - DC-
power supply