



Input characteristics

Input type				Single-phase
Rated supply voltage AC			VAC	Multivoltage 100...240
Operating range	AC	min	VAC	90
		Max	VAC	264
	DC	min	VDC	120
		Max	VDC	375
Rated frequency			Hz	50/60
Operational frequency		min	Hz	47
		max	Hz	63
Current consumption Max			mA	900
PFC				No
Insulation voltage Input/Output		AC	VAC	3000
		DC	VAC	4242
Internal fuse (250VAC)				T2A 250VAC

Output characteristics

Rated output voltage DC			VDC	12
Voltage trimming (potentiometer) DC	min	VDC	12	
	Max	VDC	14	
Rated output current			A	2.75
Rated output power			W	33
Temperature coefficient			%/°C	±0.03
Line adjustment			%	±1
Load adjustment			%	±1
Efficiency			%	83
Overload protection				110...150%
Short-circuit protection				Fold forward
Ripple & noise			mV	50
Parallel connection			Nr.	No

Indications

LED indicator for power on	Yes
LED indicator for low voltage	Yes

Connections

Terminals type	Screw
----------------	-------

Ambient conditions

Temperature			
Operating temperature	min	°C	-40

Storage temperature	max	°C	+71
	min	°C	-40
	max	°C	+85
Derating		%/°C	2.5%/°C above 56°C

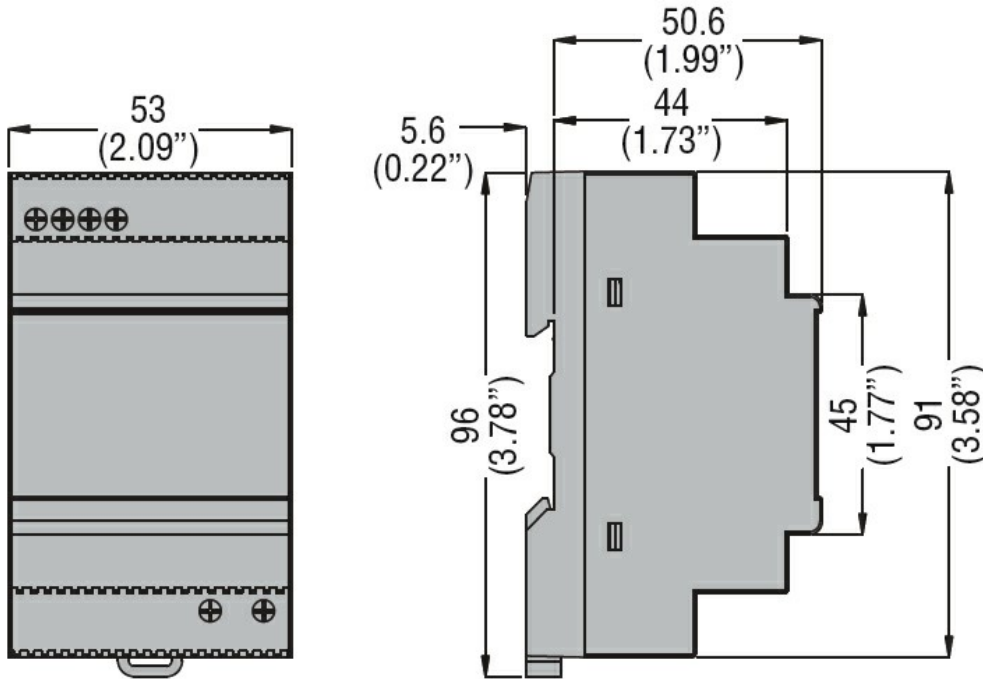
Housing

Execution (n° of modules)	3
Material	Plastic
IEC degree of protection	IP20
Dimensions (W x H x D)	mm 53 x 96 x 56.2
Weight	g 248

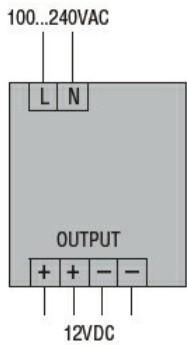
Installations

Mounting	On 35mm DIN rail
----------	------------------

Dimensions



Wiring diagrams



Certifications and compliance

Compliance

CSA C22.2 n°14
IEC/EN/BS 61000-6-2
IEC/EN/BS 61000-6-3
IEC/EN/BS 62368-1

UL 508

Certificates

cULus

EAC

RCM

ETIM classification

ETIM 8.0

EC002540 - DC-
power supply