



### Input characteristics

Input type				Single-phase
Rated supply voltage AC	VAC			Multivoltage 100...240
Operating range	AC	min	VAC	90
		Max	VAC	264
	DC	min	VDC	120
		Max	VDC	375
Rated frequency	Hz			50/60
Operational frequency		min	Hz	47
		max	Hz	63
Current consumption Max	mA			900
PFC				No
Insulation voltage Input/Output	AC	VAC	3000	
	DC	VAC	4242	
Internal fuse (250VAC)				T2A 250VAC

### Output characteristics

Rated output voltage DC	VDC			24
Voltage trimming (potentiometer) DC	min	VDC	24	
	Max	VDC	28	
Rated output current	A			1.5
Rated output power	W			36
Temperature coefficient	%/°C			±0.03
Line adjustment	%			±1
Load adjustment	%			±1
Efficiency	%			84
Overload protection				110...150%
Short-circuit protection				Fold forward
Ripple & noise	mV			50
Parallel connection	Nr.			No

### Indications

LED indicator for power on	Yes
LED indicator for low voltage	Yes

### Connections

Terminals type	Screw
----------------	-------

### Ambient conditions

Temperature	Operating temperature		
	min	°C	-40

Storage temperature	max	°C	+71
	min	°C	-40
	max	°C	+85
Derating		%/°C	2.5%/°C above 56°C

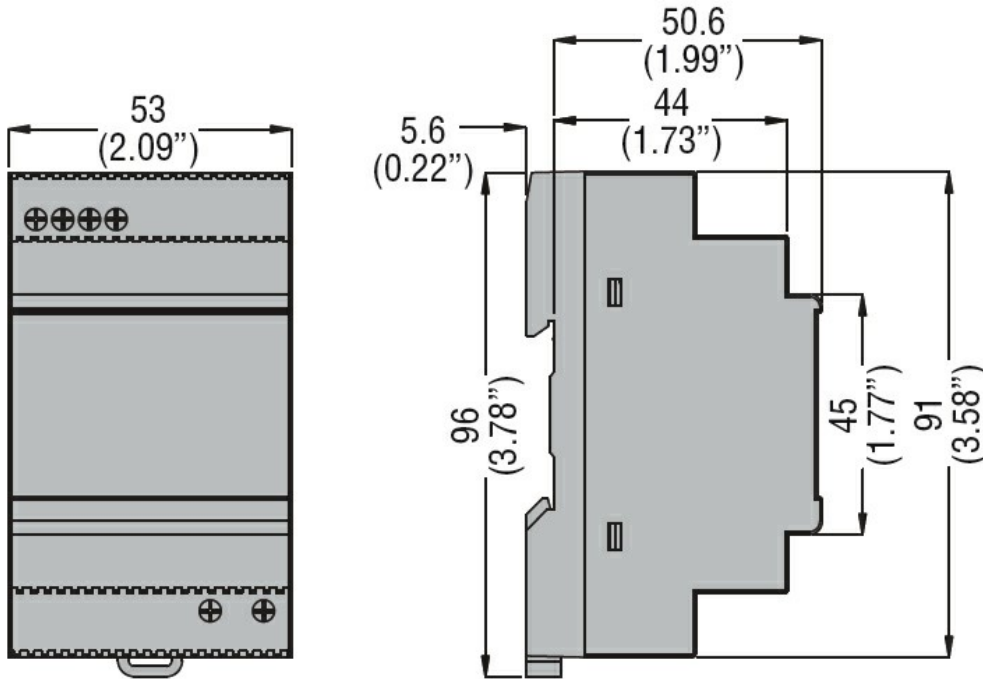
### Housing

Execution (n° of modules)	3
Material	Plastic
IEC degree of protection	IP20
Dimensions (W x H x D)	mm 53 x 96 x 56.2
Weight	g 248

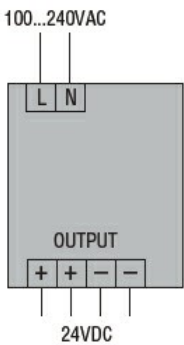
### Installations

Mounting	On 35mm DIN rail
----------	------------------

### Dimensions



### Wiring diagrams



### Certifications and compliance

#### Compliance

- CSA C22.2 n°14
- IEC/EN/BS 61000-6-2
- IEC/EN/BS 61000-6-3
- IEC/EN/BS 62368-1

---

UL 508

---

Certificates

cULus

---

EAC

---

RCM

---

ETIM classification

ETIM 8.0

EC002540 - DC-  
power supply