



Input characteristics

| | | | | |
|---------------------------------|----|-----|-----|---------------------------|
| Input type | | | | Single-phase |
| Rated supply voltage AC | | VAC | | Multivoltage 100...240 |
| Operating range | AC | | | |
| | | min | VAC | 90 |
| | | Max | VAC | 264 |
| | DC | | | |
| | | min | VDC | 120 |
| | | Max | VDC | 375 |
| Rated frequency | | | Hz | 50/60 |
| Operational frequency | | min | Hz | 47 |
| | | max | Hz | 63 |
| Current consumption Max | | | mA | 1500 |
| PFC | | | | No |
| Insulation voltage Input/Output | | AC | VAC | 3000 |
| | | DC | VAC | 4242 |
| Internal fuse (250VAC) | | | | T2A 250VAC |

Output characteristics

| | | | | |
|-------------------------------------|--|-----|------|--------------|
| Rated output voltage DC | | VDC | | 12 |
| Voltage trimming (potentiometer) DC | | min | VDC | 12 |
| | | Max | VDC | 14 |
| Rated output current | | | A | 4.5 |
| Rated output power | | | W | 54 |
| Temperature coefficient | | | %/°C | ±0.03 |
| Line adjustment | | | % | ±1 |
| Load adjustment | | | % | ±1 |
| Efficiency | | | % | 84 |
| Overload protection | | | | 110...150% |
| Short-circuit protection | | | | Fold forward |
| Ripple & noise | | | mV | 50 |
| Parallel connection | | | Nr. | No |

Indications

| | |
|-------------------------------|-----|
| LED indicator for power on | Yes |
| LED indicator for low voltage | Yes |

Connections

| | |
|----------------|-------|
| Terminals type | Screw |
|----------------|-------|

Ambient conditions

| | | | | |
|-------------|-----------------------|-----|----|-----|
| Temperature | | | | |
| | Operating temperature | | | |
| | | min | °C | -40 |

| | | | |
|---------------------|-----|------|--------------------|
| Storage temperature | max | °C | +71 |
| | min | °C | -40 |
| | max | °C | +85 |
| Derating | | %/°C | 2.5%/°C above 56°C |

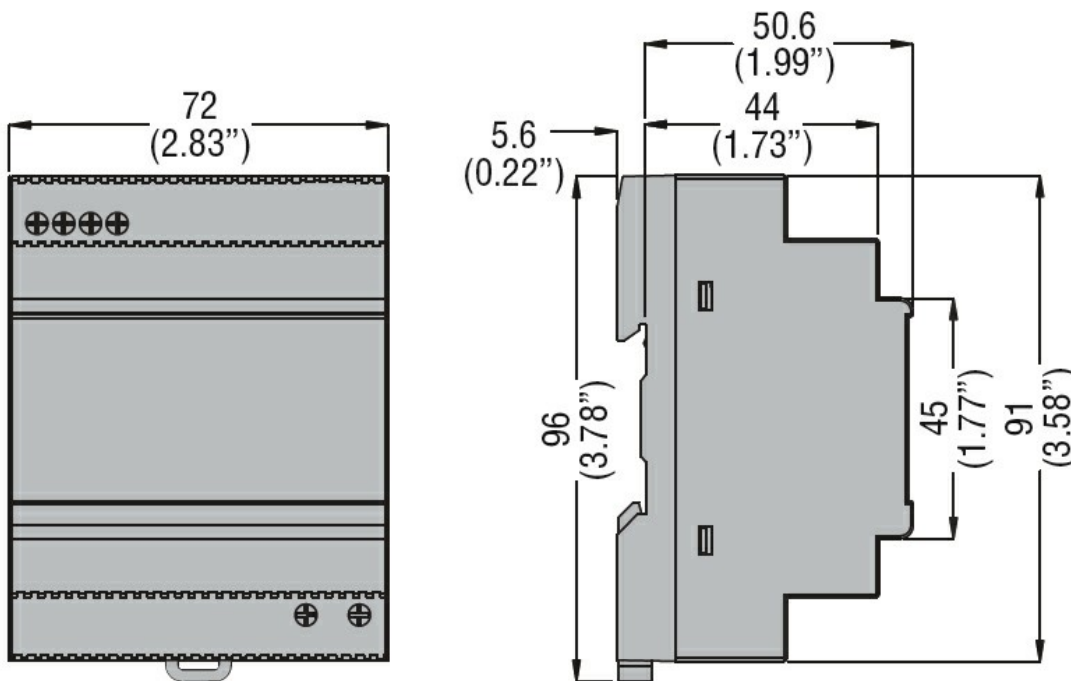
Housing

| | |
|---------------------------|-------------------|
| Execution (n° of modules) | 4 |
| Material | Plastic |
| IEC degree of protection | IP20 |
| Dimensions (W x H x D) | mm 71 x 96 x 56.2 |
| Weight | g 311 |

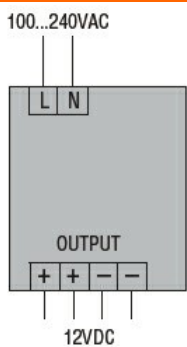
Installations

| | |
|----------|------------------|
| Mounting | On 35mm DIN rail |
|----------|------------------|

Dimensions



Wiring diagrams



Certifications and compliance

Compliance

CSA C22.2 n°14
IEC/EN/BS 61000-6-2
IEC/EN/BS 61000-6-3
IEC/EN/BS 62368-1

UL 508

Certificates

cULus

EAC

RCM

ETIM classification

ETIM 8.0

EC002540 - DC-
power supply