



Input characteristics

Input type				Single-phase
Rated supply voltage AC		VAC		Multivoltage 100...240
Operating range	AC			
		min	VAC	90
		Max	VAC	264
	DC			
		min	VDC	120
		Max	VDC	375
Rated frequency			Hz	50/60
Operational frequency		min	Hz	47
		max	Hz	63
Current consumption Max			mA	1500
PFC				No
Insulation voltage Input/Output		AC	VAC	3000
		DC	VAC	4242
Internal fuse (250VAC)				T2A 250VAC

Output characteristics

Rated output voltage DC		VDC		24
Voltage trimming (potentiometer) DC		min	VDC	24
		Max	VDC	28
Rated output current			A	2.5
Rated output power			W	60
Temperature coefficient			%/°C	±0.03
Line adjustment			%	±1
Load adjustment			%	±1
Efficiency			%	86
Overload protection				110...150%
Short-circuit protection				Fold forward
Ripple & noise			mV	50
Parallel connection			Nr.	No

Indications

LED indicator for power on		Yes
LED indicator for low voltage		Yes

Connections

Terminals type		Screw
----------------	--	-------

Ambient conditions

Temperature	Operating temperature	min	°C	-40
-------------	-----------------------	-----	----	-----

Storage temperature	max	°C	+71
	min	°C	-40
	max	°C	+85
Derating		%/°C	2.5%/°C above 56°C

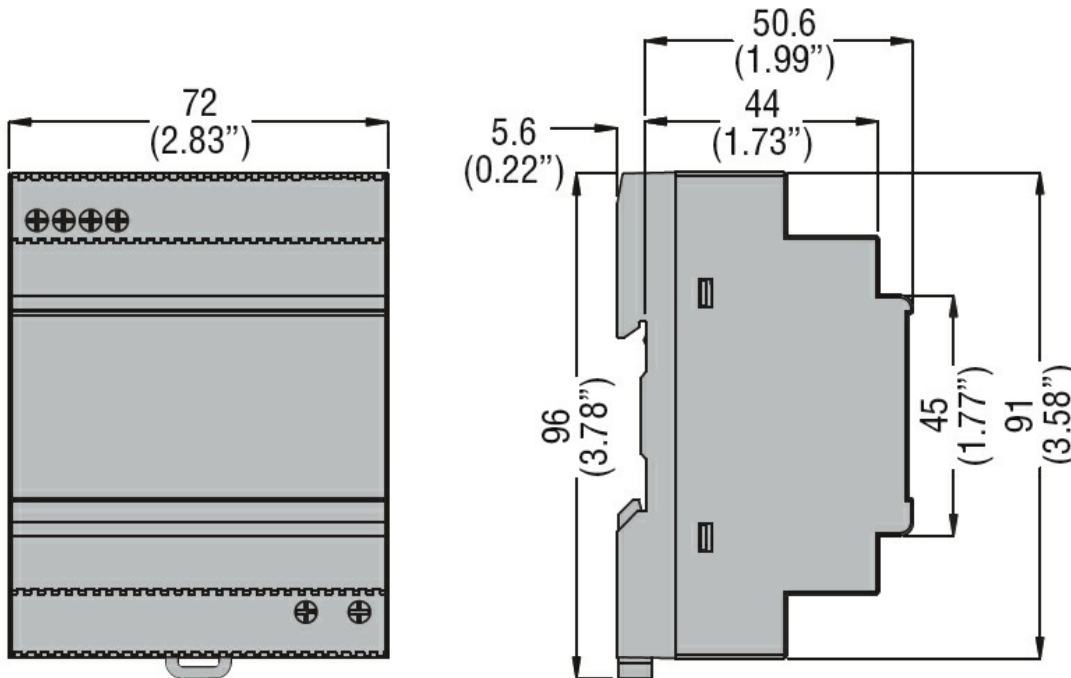
Housing

Execution (n° of modules)	4
Material	Plastic
IEC degree of protection	IP20
Dimensions (W x H x D)	mm 71 x 96 x 56.2
Weight	g 311

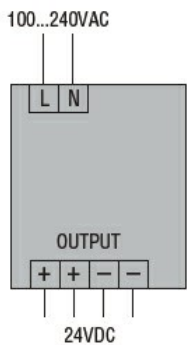
Installations

Mounting	On 35mm DIN rail
----------	------------------

Dimensions



Wiring diagrams



Certifications and compliance

Compliance

CSA C22.2 n°14
IEC/EN/BS 61000-6-2
IEC/EN/BS 61000-6-3
IEC/EN/BS 62368-1

Certificates	UL 508
	cULus
	EAC
	RCM

ETIM classification	
ETIM 8.0	EC002540 - DC-power supply