



Input characteristics

Input type				Single-phase
Rated supply voltage AC	VAC			Multivoltage 100...240
Operating range	AC	min	VAC	90
		Max	VAC	264
	DC	min	VDC	120
		Max	VDC	375
Rated frequency	Hz			50/60
Operational frequency		min	Hz	47
		max	Hz	63
Current consumption Max	mA			2200
PFC				No
Insulation voltage Input/Output	AC	VAC	3000	
	DC	VAC	4242	
Internal fuse (250VAC)				T3 15A 250VAC

Output characteristics

Rated output voltage DC	VDC			24
Voltage trimming (potentiometer) DC	min	VDC	24	
	Max	VDC	28	
Rated output current	A			4.2
Rated output power	W			100
Temperature coefficient	%/°C			±0.03
Line adjustment	%			±1
Load adjustment	%			±1
Efficiency	%			89
Overload protection				110...150%
Short-circuit protection				Fold forward
Ripple & noise	mV			50
Parallel connection	Nr.			No

Indications

LED indicator for power on	Yes
LED indicator for low voltage	Yes

Connections

Terminals type	Screw
----------------	-------

Ambient conditions

Temperature	Operating temperature		
	min	°C	-40

Storage temperature	max	°C	+71
	min	°C	-40
	max	°C	+85
Derating		%/°C	2.5%/°C above 60°C

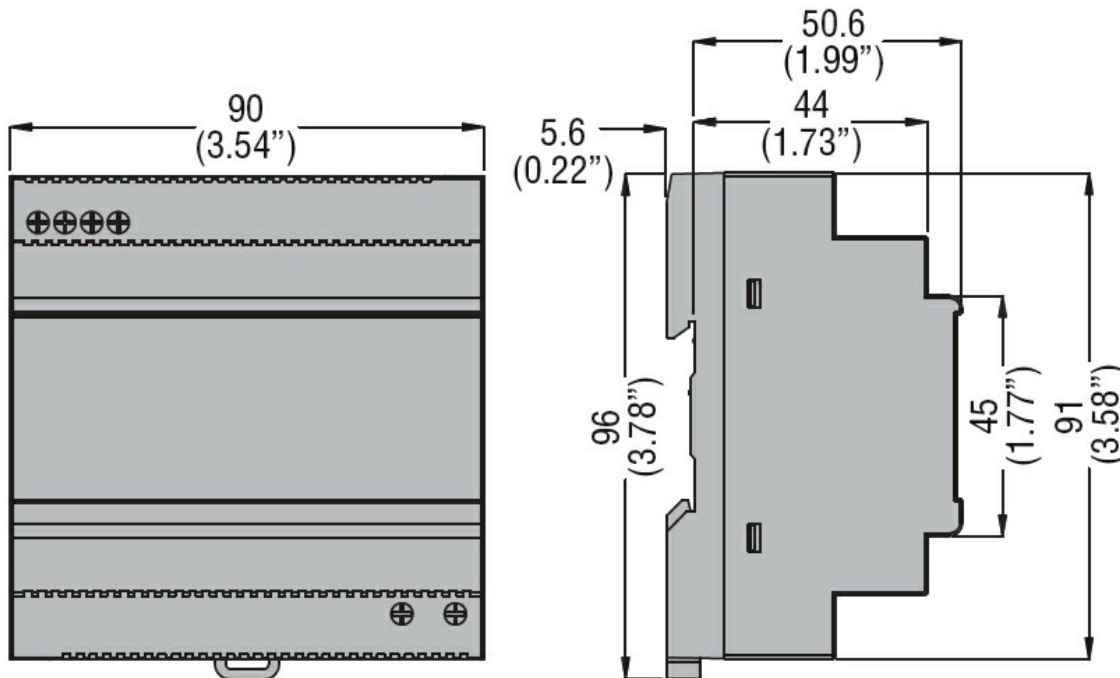
Housing

Execution (n° of modules)	5
Material	Plastic
IEC degree of protection	IP20
Dimensions (W x H x D)	mm 90 x 96 x 56.2
Weight	g 443

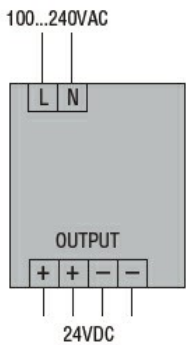
Installations

Mounting	On 35mm DIN rail
----------	------------------

Dimensions



Wiring diagrams



Certifications and compliance

Compliance

CSA C22.2 n°14
IEC/EN/BS 61000-6-2
IEC/EN/BS 61000-6-3
IEC/EN/BS 62368-1

Certificates	UL 508
	cULus
	EAC
	RCM

ETIM classification	
ETIM 8.0	EC002540 - DC-power supply