



### Input characteristics

Operating range

DC

min	VDC	9
Max	VDC	35

Number of inputs

Nr.	2
-----	---

Rated input current

A	10
---	----

Maximum input current (for channel)

A	8A for 300s
---	-------------

### Output characteristics

Rated output voltage DC

VDC	12...24
-----	---------

Rated output current

A	10
---	----

Output voltage drop

V	0.5
---	-----

Maximum reverse voltage

V	35
---	----

Maximum output current

A	16A for 300s
---	--------------

### Connections

Terminals type

Screw

### Ambient conditions

Temperature

Operating temperature

min	°C	-40
max	°C	+71

Storage temperature

min	°C	-40
max	°C	+85

### Housing

Material

Plastic

IEC degree of protection

IP20

Dimensions (W x H x D)

mm	35 x 91 x 56.5
----	----------------

Weight

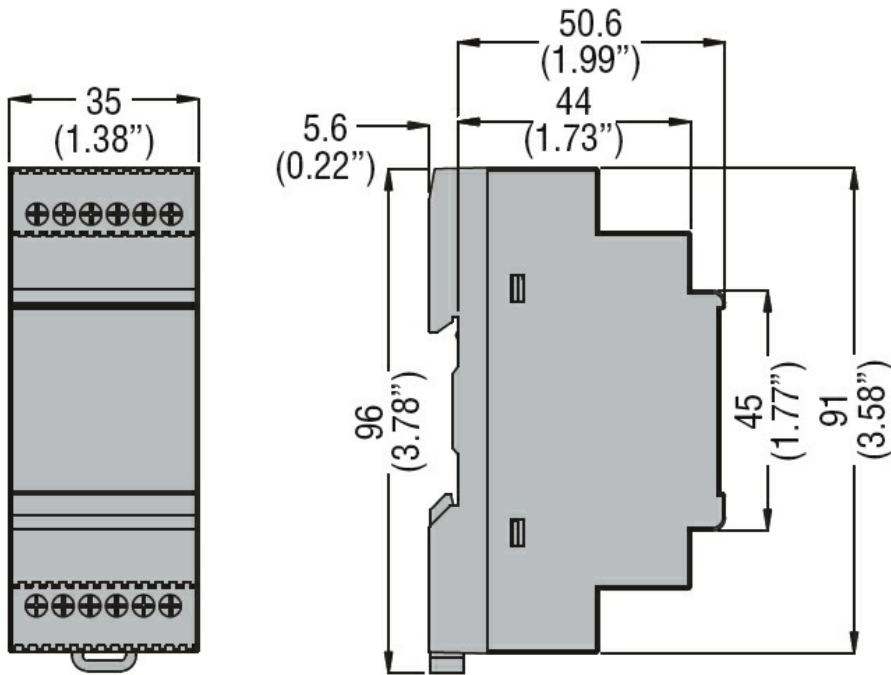
g	75
---	----

### Installations

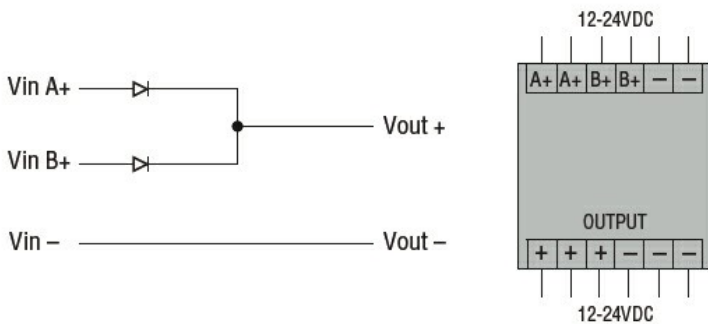
Mounting

Modular housing  
DIN 43880

### Dimensions



**Wiring diagrams**



**Certifications and compliance**

**Compliance**

- IEC/EN/BS 60950-1
- IEC/EN/BS 61000-4-2
- IEC/EN/BS 61000-4-3
- IEC/EN/BS 61000-4-4
- IEC/EN/BS 61000-4-6
- IEC/EN/BS 61000-4-8

**Certificates**

- EAC
- RCM

**ETIM classification**

ETIM 8.0

EC002540 - DC-power supply