



General characteristics

Description				Flush mount with transparent cover, 1 operating threshold
Residual operation characteristic				Type A
N° of operating threshold				1
Control circuit				
Toroidal transformer				External
Adjustments				
Tripping set-point ($I_{\Delta n}$)	(x0.1)	A	0.025...0.25	
	(x1)	A	0.25...2.5	
	(x10)	A	2.5...25	
	(external multiplier)	A	25...250	
Tripping delay time	(tx1)	s	0.02...0.5	
	(tx10)	s	0.2...5	
Selection of multiplier for $I_{\Delta n}$ and t				By dip switches
Resetting				Configurable automatic or manual by button on front
Test Button				Yes
Shunt circuit control				No
Auxiliary supply				
Auxiliary rated supply voltage U_s				110... 125VAC/DC;220... 240/380... 415VAC
Operational limits				110... 125VAC/DC or 220...240VAC or 380...415VAC
Output contacts				1
Rated frequency			Hz	50...60
Power consumption Max			VA	5.5
Relay outputs				
Relay state				Normally de-energised
Contact arrangement				1 changeover SPDT (trip)
Rated contact capacity IEC Ith				5A - 250VAC
Insulations				
Power frequency withstand voltage			kV	2.5kV for 60s
Indications				

Auxiliary voltage available (ON)	Green LED
Relay tripping (TRIP)	Red LED

Connections

Terminals type	Fixed
Tightening torque for terminals	

max	Nm	0.5
max	lbin	4.5

Conductor section	AWG/Kcmil	min	24
		max	12

IEC	min	mm ²	0.2
	max	mm ²	2.5

Operations

Mechanical life	cycles	50000000
Electrical life	cycles	300000

Ambient conditions

Temperature	Operating temperature	min	°C	-10
		max	°C	+60
	Storage temperature	min	°C	-20
		max	°C	+80

Relative humidity	%	≤90%
-------------------	---	------

Housing

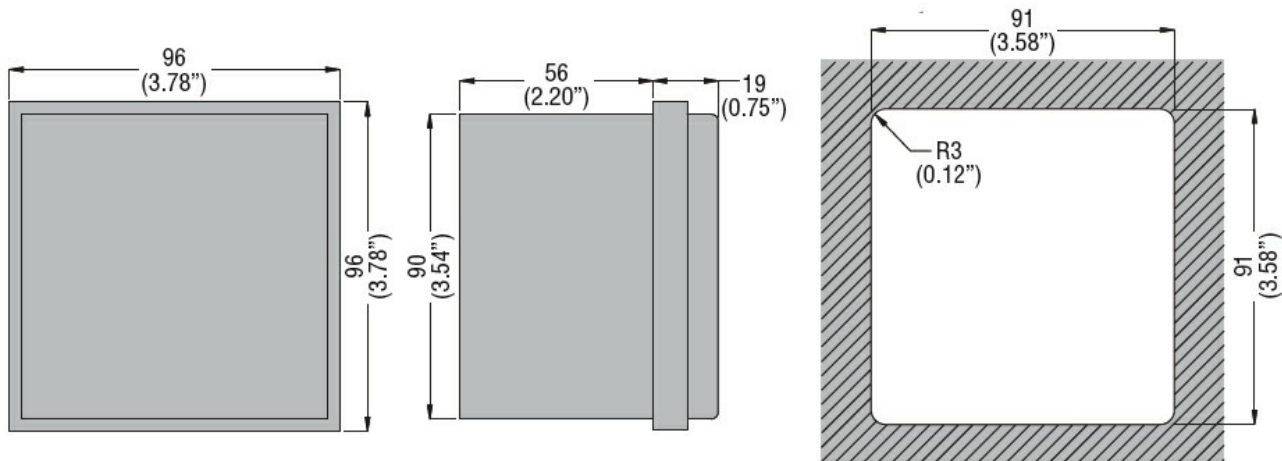
Material	Self-extinguishing polycarbonate
Mounting	Flush mount

Degree of protection	IP40 with protecting cover, IP20 terminals
----------------------	--

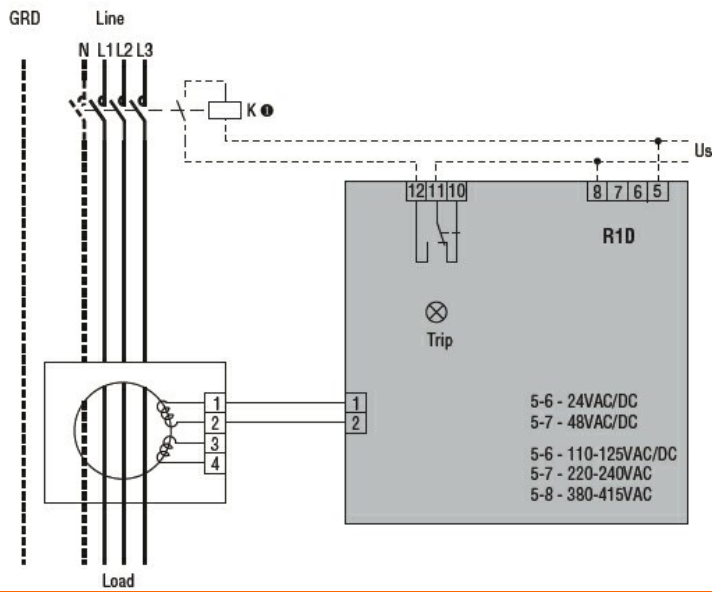
Dimensions (W x H x D)	mm	96x96x75
------------------------	----	----------

Weight	g	280
--------	---	-----

Dimensions



Wiring diagrams



Certifications and compliance

Compliant with standards

IEC/EN 60947-2

Certificates

EAC

ETIM classification

ETIM 8.0

EC001445 -
Residual current
monitoring relay