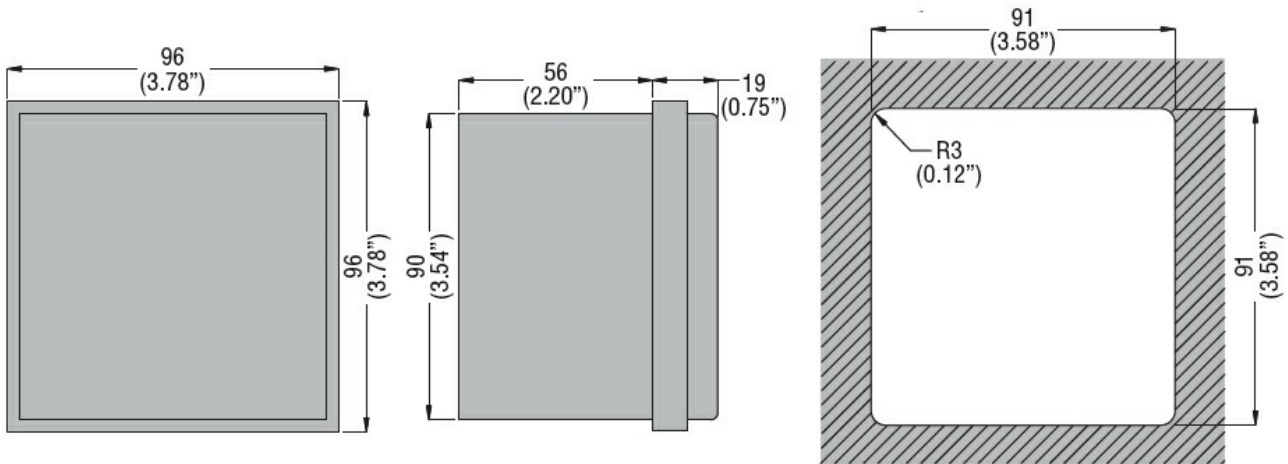




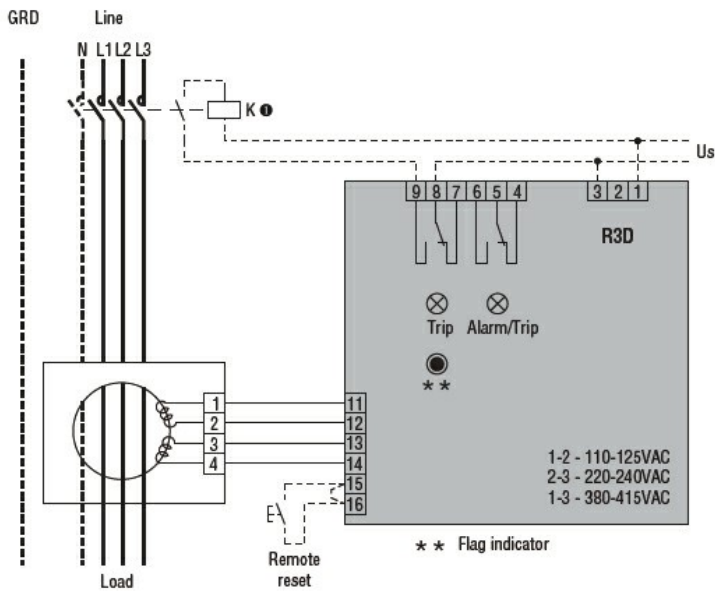
General characteristics

Description				Flush mount with transparent cover, 2 operating thresholds
Residual operation characteristic				Type A
N° of operating threshold				2
Control circuit				
Toroidal transformer				External
Adjustments	Tripping set-point ($I\Delta n$)	(x0.1)	A	0.025...0.25
		(x1)	A	0.25...2.5
		(x10)	A	2.5...25
		(external multiplier)	A	25...250
	Prealarm set-point		$I\Delta n$	70% $I\Delta n$ (fixed)
	Tripping delay time	(tx1)	s	0.02...0.5
		(tx10)	s	0.2...5
Selection of multiplier for $I\Delta n$ and t				By dip switches
Resetting				Automatic by remote contact closing. Manual by button on front or remote contact closing
Test Button				Yes
Shunt circuit control				No
Auxiliary supply				
Auxiliary rated supply voltage Us				110...125/220...240/380...415VAC
Operational limits				110...125VAC or 220...240VAC or 380...415VAC
Output contacts				2
Rated frequency			Hz	50...60
Power consumption Max			VA	4.5
Relay outputs				
Relay state				Configurable normally de-energised or energised

Contact arrangement				2 changeover SPDT each (configurable: 2 trip or 1 trip and 1 alarm)
Rated contact capacity IEC Ith				5A - 250VAC
Insulations				
Power frequency withstand voltage			kV	2.5kV for 60s
Indications				
Auxiliary voltage available (ON)				Green LED
Relay tripping (TRIP)				Red LED
Trip prealarm (ALARM)				Red LED
Mechanical (TRIP MEMORY)				Flag indicator
Connections				
Terminals type				Fixed
Tightening torque for terminals			max Nm	0.5
			max lbin	4.5
Conductor section	AWG/Kcmil		min	24
			max	12
	IEC		min mm ²	0.2
			max mm ²	2.5
Operations				
Mechanical life			cycles	50000000
Electrical life			cycles	300000
Ambient conditions				
Temperature	Operating temperature		min °C	-10
			max °C	+60
	Storage temperature		min °C	-20
			max °C	+80
Relative humidity			%	≤90%
Housing				
Material				Self-extinguishing polycarbonate
Mounting				Flush mount
Degree of protection				IP40 with protecting cover, IP20 terminals
Dimensions (W x H x D)			mm	96x96x75
Weight			g	405
Dimensions				



Wiring diagrams



Certifications and compliance

Compliant with standards

IEC/EN 60947-2

Certificates

EAC

ETIM classification

ETIM 8.0

EC001445 -
Residual current
monitoring relay