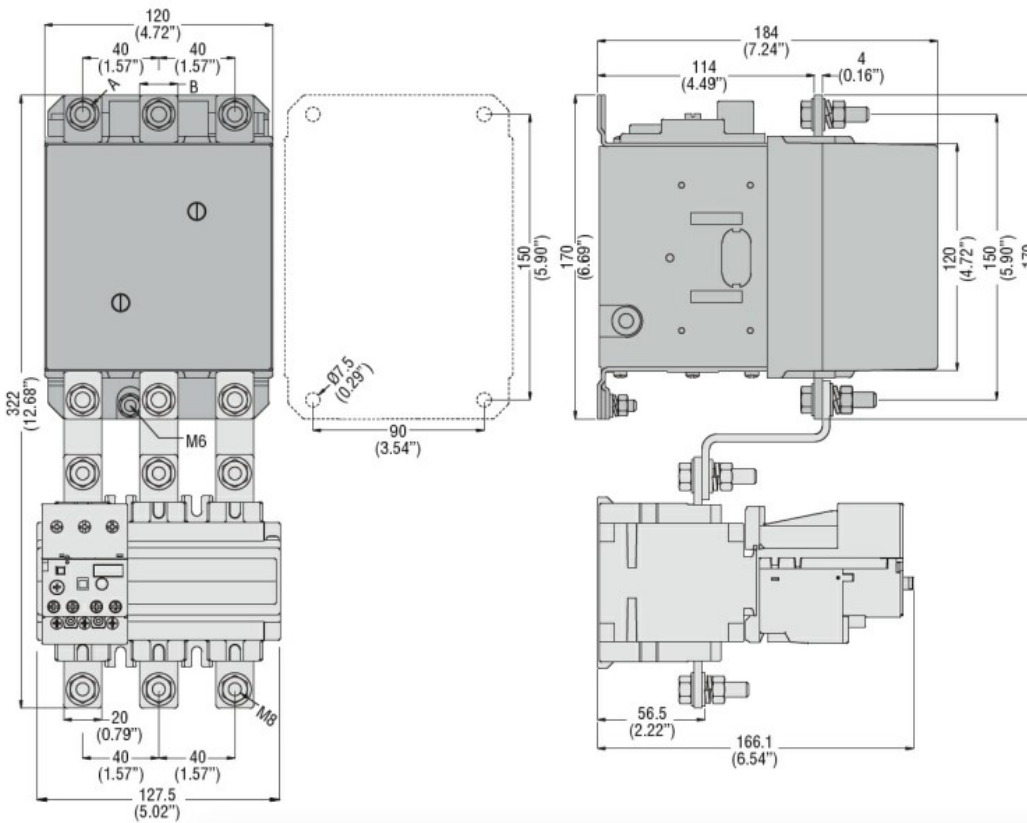




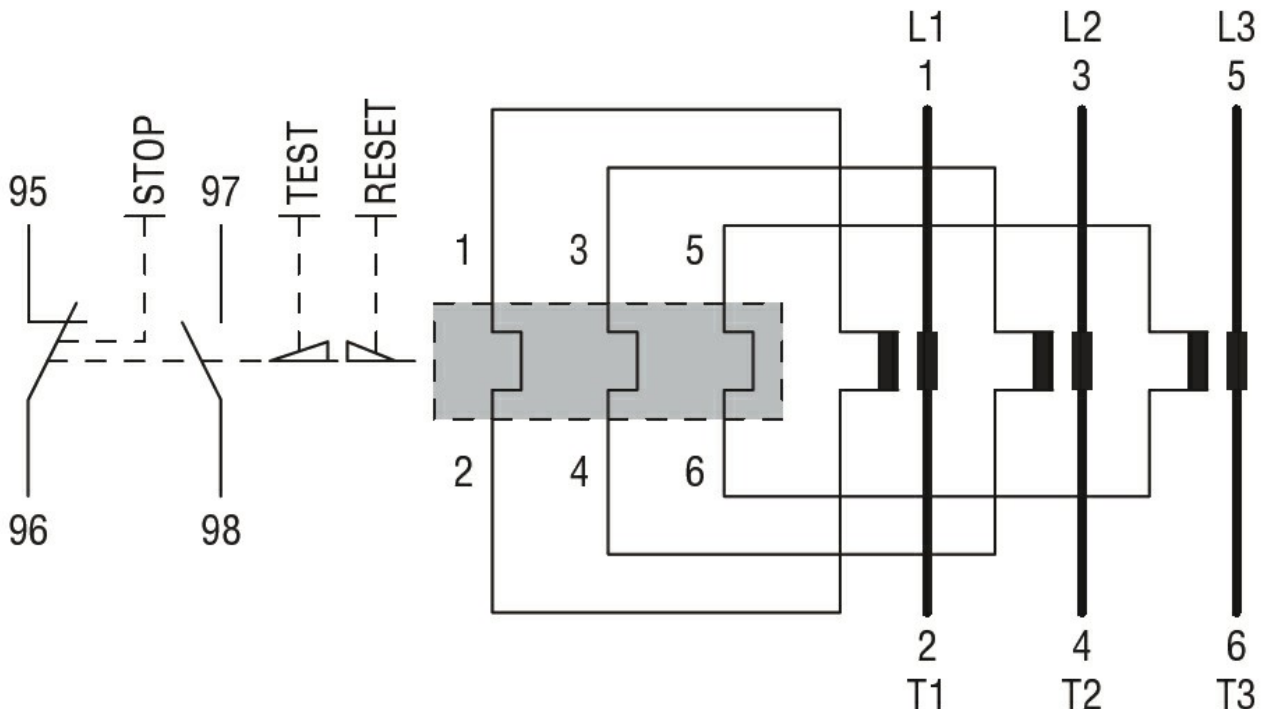
General characteristics			
Number of poles	Nr.	3	
Overvoltage category		III	
Pollution degree		3	
Frontal IP degree		IP20	
Type of release		Thermal	
Protection fuse	gG (IEC)	A	160
	aM (IEC)	A	100
	K5 (UL)	A	500
Phase failure detection		no	
Reset mode		Manual or automatic	
Power circuit characteristics			
Rated insulation voltage U_i IEC/EN	V	1000	
Rated impulse withstand voltage U_{imp}	kV	6	
Rated operational voltage	V	690	
Operational frequency	min	Hz	50
	max	Hz	60
Operational current I_e	Operational current min	A	60
	Operational current max	A	100
Tripping class		10A	
Test Button		Yes	
Trip indicator		yes	
Terminals	type	screw and flat washer	
	screw	M8	
	width	mm	20
	tool	Bar 13mm	
Tightening torque for terminals	min	Nm	18
	max	Nm	18
	min	Ibin	13.3
	max	Ibin	13.3
Auxiliary circuit characteristics			
Auxiliary contacts	NO	Nr.	1
	NC	Nr.	1
Auxiliary Rated insulation voltage U_i IEC/EN	V	690	
Auxiliary Rated impulse withstand voltage U_{imp}	kV	6	
Auxiliary Rated operational voltage	V	690	
Operating current AC15			

	24V	A	3
	120V	A	3
	240V	A	1.5
	380V	A	0.95
	480V	A	0.75
	500V	A	0.72
	600V	A	0.6
<hr/>			
Operating current DC13			
	125V	A	0.11
	600V	A	0.22
<hr/>			
IEC Conventional free air thermal current I _{th} ≤ 40°C		A	10
<hr/>			
Terminals			
	Auxiliary circuit type		screw and washer
	Auxiliary circuit screw		M3,5
	Auxiliary circuit width	mm	8
	Auxiliary circuit tool		Phillips 2
<hr/>			
Conductor section			
	Auxiliary circuit Flexible w/o lug max	mm ²	2.5
	Auxiliary circuit Flexible c/w lug max	mm ²	2.5
<hr/>			
Tightening torque for terminals			
	Auxiliary circuit min	Nm	0.8
	Auxiliary circuit max	Nm	1
	Auxiliary circuit min	Ibin	0.59
	Auxiliary circuit max	Ibin	0.74
<hr/>			
UL/CSA and IEC/EN 60947-5-1 designation			B600-R300
<hr/>			
Ambient conditions			
Operating temperature			
	min	°C	-25
	max	°C	60
<hr/>			
Storage temperature			
	min	°C	-50
	max	°C	70
<hr/>			
Compensation temperature			
	min	°C	-20
	max	°C	60
<hr/>			
Max altitude		m	3000
<hr/>			
Mechanical features			
Operating position			
	normal allowable		Vertical plan ±30°
<hr/>			
Fixing			Screw
<hr/>			
Weight		g	2150
<hr/>			
UL technical data			
Full-load current (FLA) for three-phase AC motor			
	at 480V	A	100
	at 600V	A	100
<hr/>			
Dimensions			



CONTACTOR TYPE	A	B
B115	M6	15 (0.59")
B145	M8	20 (0.79")
B180	M8	20 (0.79")

Wiring diagrams



Certifications and compliance

Compliance

CSA C22.2 n° 14
IEC/EN 60947-1
IEC/EN 60947-4-1
UL508

Certifications

cULus
EAC

ETIM classification

ETIM 8.0

EC000106 -
Thermal overload
relay