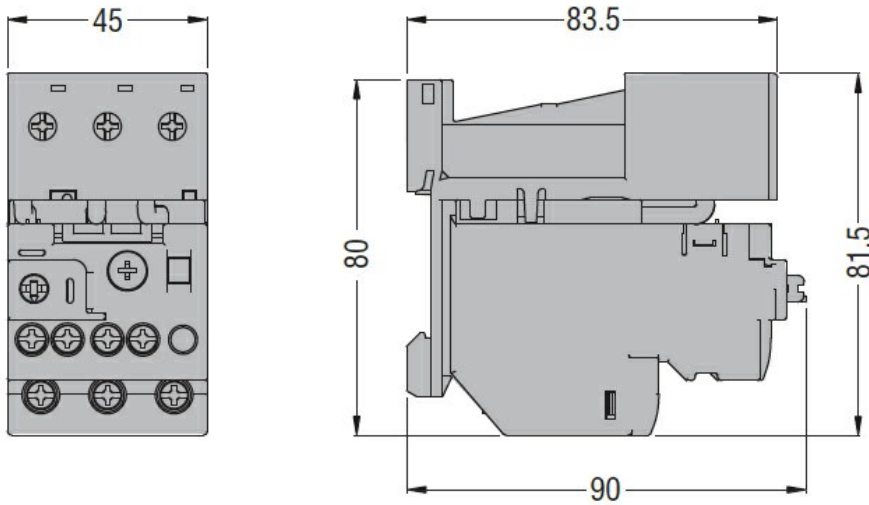


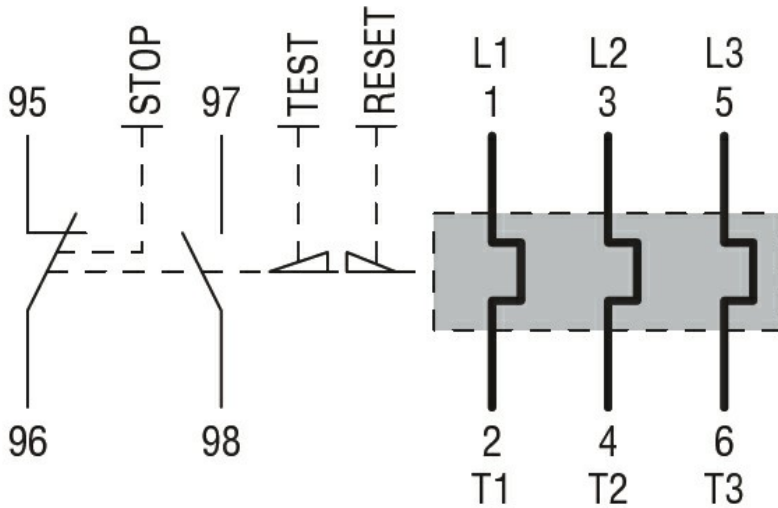


General characteristics			
Number of poles	Nr.		3
Overvoltage category			III
Pollution degree			3
Frontal IP degree			IP20
Type of release			Electronic thermal
Protection fuse			
	gG (IEC)	A	63
	aM (IEC)	A	40
Phase failure detection			yes
Reset mode			Manual or automatic
Power circuit characteristics			
Rated insulation voltage U_i IEC/EN	V		1000
Rated impulse withstand voltage U_{imp}	kV		6
Rated operational voltage	V		690
Operational frequency		min	Hz 50
		max	Hz 60
Operational current I_e		Operational current min	A 6.4
		Operational current max	A 32
Tripping class			5 - 10 - 20 - 30
Test Button			Yes
Trip indicator			yes
Terminals		type	screw and washer
		screw	M4
		width	mm 12
		tool	Phillips 2
Tightening torque for terminals		min	Nm 3.1
		max	Nm 3.1
		min	lbin 2.3
		max	lbin 2.3
Conductor section		AWG/kcmil max	6
Auxiliary circuit characteristics			
Auxiliary contacts		NO	Nr. 1
		NC	Nr. 1
Auxiliary Rated insulation voltage U_i IEC/EN	V		690
Auxiliary Rated impulse withstand voltage U_{imp}	kV		6

Auxiliary Rated operational voltage	V	690
Operating current AC15	24V 120V 240V 380V 480V 500V 600V	A 3 3 1.5 0.95 0.75 0.72 0.6
Operating current DC13	125V 600V	A 0.11 0.22
IEC Conventional free air thermal current $I_{th} \leq 40^\circ\text{C}$	A	10
Terminals	Auxiliary circuit type Auxiliary circuit screw Auxiliary circuit width Auxiliary circuit tool	screw and washer M3,5 7 mm Phillips 2
Conductor section	Auxiliary circuit Flexible w/o lug max Auxiliary circuit Flexible c/w lug max	mm ² 2.5 mm ² 2.5
Tightening torque for terminals	Auxiliary circuit min Auxiliary circuit max Auxiliary circuit min Auxiliary circuit max	Nm 0.8 Nm 0.8 lbin 0.6 lbin 0.6
UL/CSA and IEC/EN 60947-5-1 designation		B600-R300
Ambient conditions		
Operating temperature	min max	°C -25 °C 70
Storage temperature	min max	°C -55 °C 80
Compensation temperature	min max	°C -25 °C 70
Max altitude	m	3000
Mechanical features		
Operating position	normal allowable	Vertical plan ±30°
Fixing		Direct mounting on BF09... BF38...
Weight	g	195
UL technical data		
Full-load current (FLA) for three-phase AC motor	at 480V at 600V	A 32 A 32
Dimensions		



Wiring diagrams



Certifications and compliance

Compliance

- CSA C22.2 n° 60947-1
- CSA C22.2 n° 60947-4-1
- IEC/EN 60947-1; IEC/EN 60947-4-1
- UL 60947-1
- UL 60947-4-1

Certifications

cULus

ETIM classification

ETIM 8.0

EC001080 -
Electronic
overload relay