



**General characteristics**

Number of poles	Nr.	3
Overvoltage category		III
Pollution degree		3
Frontal IP degree		IP20
Type of release		Thermal
Protection fuse		
	gG (IEC)	A 250
	aM (IEC)	A 160
	K5 (UL)	A 500
Phase failure detection		no
Reset mode		Manual or automatic

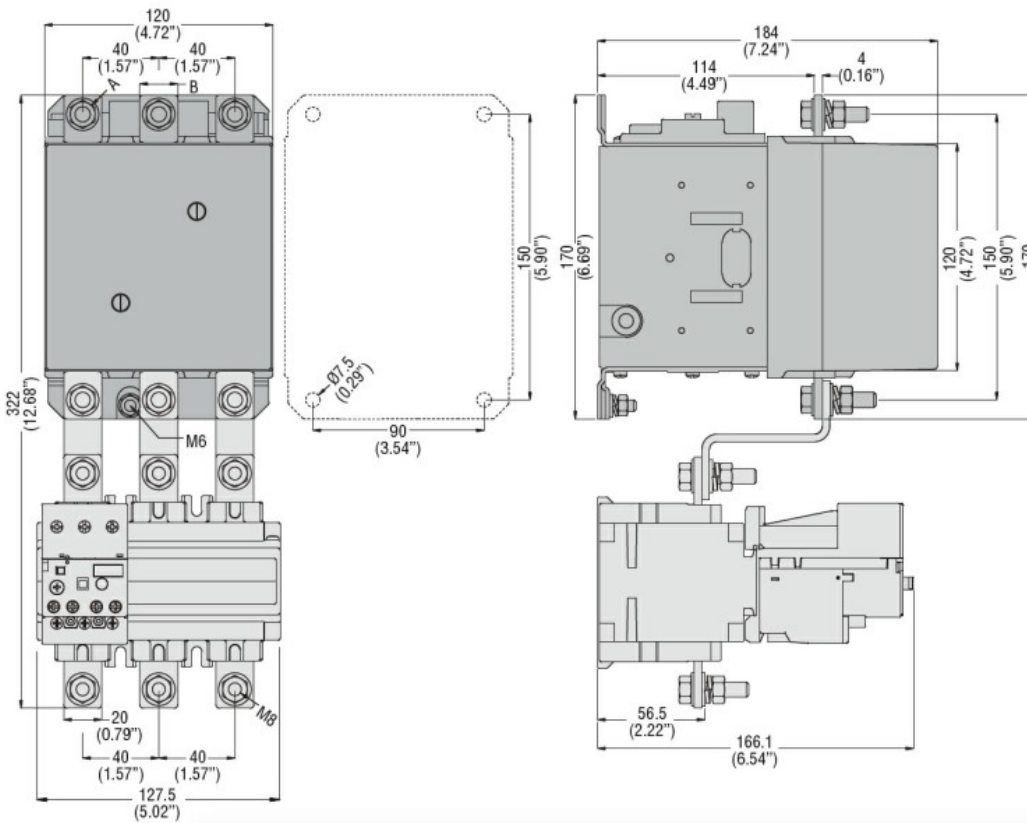
**Power circuit characteristics**

Rated insulation voltage $U_i$ IEC/EN	V	1000
Rated impulse withstand voltage $U_{imp}$	kV	6
Rated operational voltage	V	690
Operational frequency		
	min	Hz 50
	max	Hz 60
Operational current $I_e$		
	Operational current min	A 90
	Operational current max	A 150
Tripping class		10A
Test Button		Yes
Trip indicator		yes
Terminals		
	type	screw and flat washer
	screw	M8
	width	mm 20
	tool	Bar 13mm
Tightening torque for terminals		
	min	Nm 18
	max	Nm 18
	min	Ibin 13.3
	max	Ibin 13.3

**Auxiliary circuit characteristics**

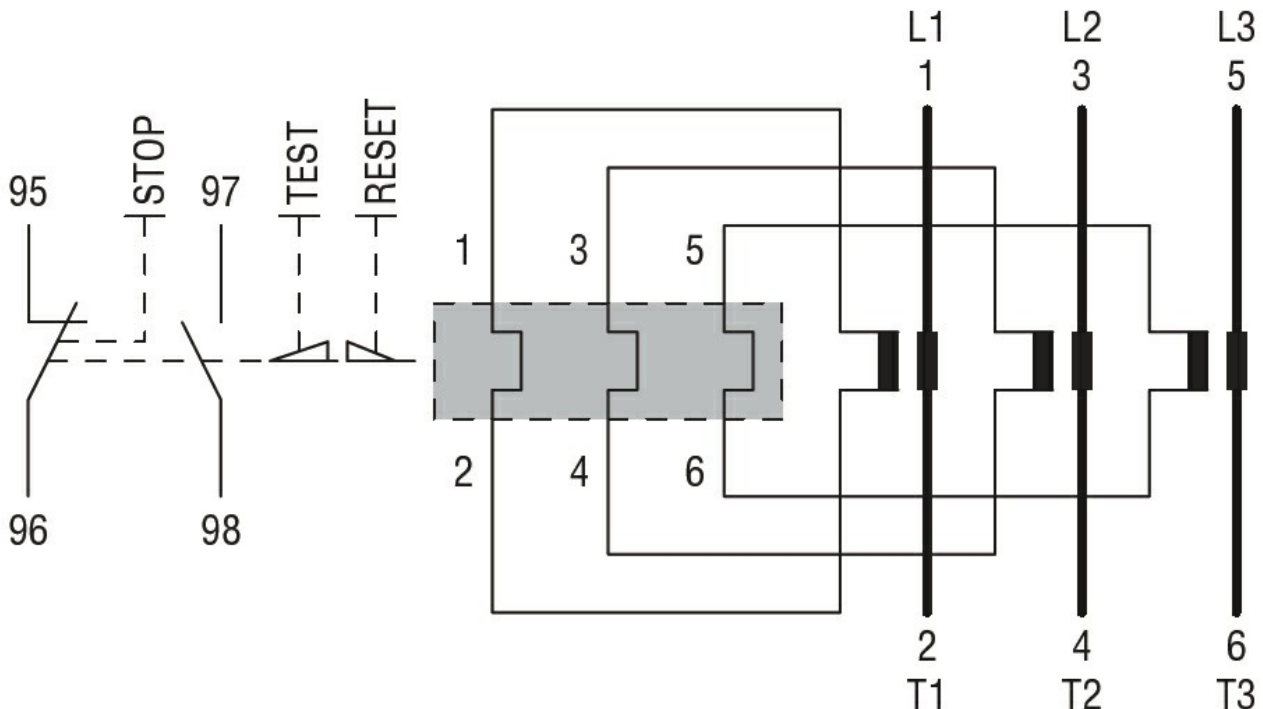
Auxiliary contacts			
	NO	Nr.	1
	NC	Nr.	1
Auxiliary Rated insulation voltage $U_i$ IEC/EN	V	690	
Auxiliary Rated impulse withstand voltage $U_{imp}$	kV	6	
Auxiliary Rated operational voltage	V	690	
Operating current AC15			

	24V	A	3
	120V	A	3
	240V	A	1.5
	380V	A	0.95
	480V	A	0.75
	500V	A	0.72
	600V	A	0.6
<hr/>			
Operating current DC13			
	125V	A	0.11
	600V	A	0.22
<hr/>			
IEC Conventional free air thermal current I <sub>th</sub> ≤ 40°C		A	10
<hr/>			
Terminals			
	Auxiliary circuit type		screw and washer
	Auxiliary circuit screw		M3,5
	Auxiliary circuit width	mm	8
	Auxiliary circuit tool		Phillips 2
<hr/>			
Conductor section			
	Auxiliary circuit Flexible w/o lug max	mm <sup>2</sup>	2.5
	Auxiliary circuit Flexible c/w lug max	mm <sup>2</sup>	2.5
<hr/>			
Tightening torque for terminals			
	Auxiliary circuit min	Nm	0.8
	Auxiliary circuit max	Nm	1
	Auxiliary circuit min	Ibin	0.59
	Auxiliary circuit max	Ibin	0.74
<hr/>			
UL/CSA and IEC/EN 60947-5-1 designation			B600-R300
<hr/>			
<b>Ambient conditions</b>			
Operating temperature			
	min	°C	-25
	max	°C	60
<hr/>			
Storage temperature			
	min	°C	-50
	max	°C	70
<hr/>			
Compensation temperature			
	min	°C	-20
	max	°C	60
<hr/>			
Max altitude		m	3000
<hr/>			
<b>Mechanical features</b>			
Operating position			
	normal allowable		Vertical plan ±30°
<hr/>			
Fixing			Screw
<hr/>			
Weight		g	2150
<hr/>			
<b>UL technical data</b>			
Full-load current (FLA) for three-phase AC motor			
	at 480V	A	150
	at 600V	A	150
<hr/>			
<b>Dimensions</b>			



CONTACTOR TYPE	A	B
B115	M6	15 (0.59")
B145	M8	20 (0.79")
B180	M8	20 (0.79")

**Wiring diagrams**



**Certifications and compliance**

**Compliance**

- CSA C22.2 n° 14
- IEC/EN 60947-1
- IEC/EN 60947-4-1
- UL508

**Certifications**

cULus  
EAC

---

ETIM classification

ETIM 8.0

EC000106 -  
Thermal overload  
relay