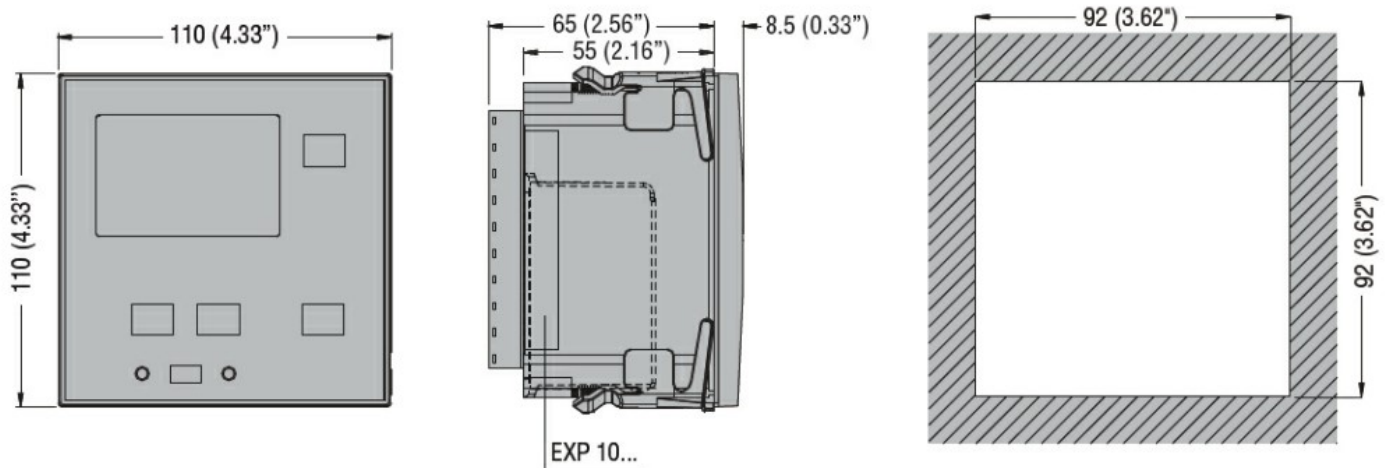
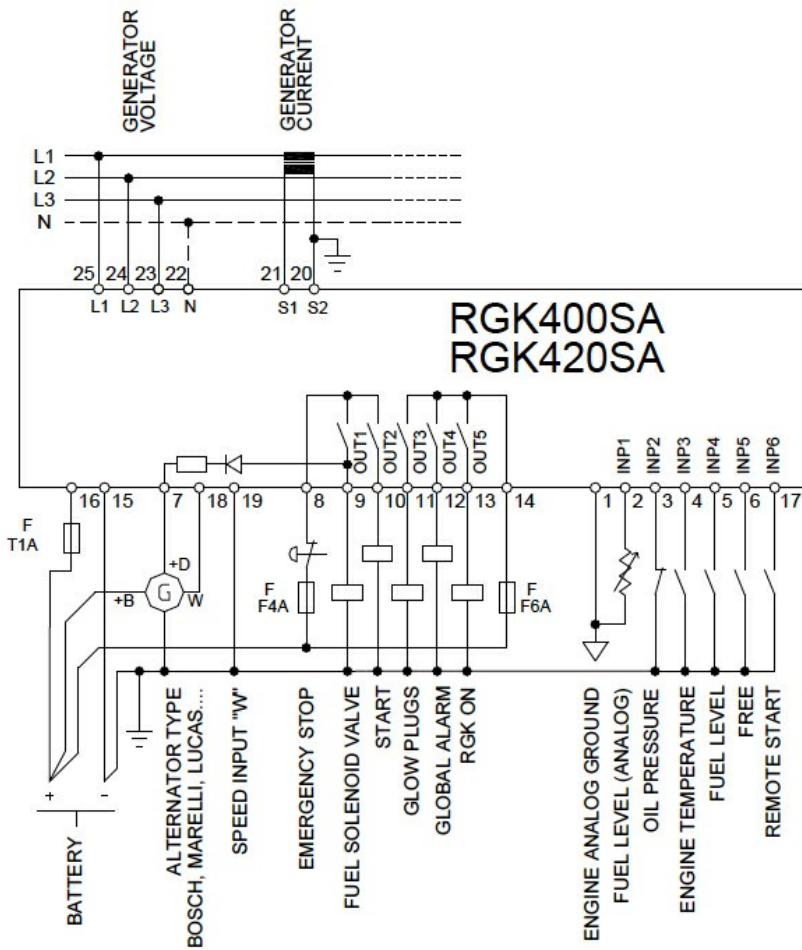




Power supply			
Rated battery voltage	V	12/24VDC	
Digital inputs			
Digital input type		5 neg.+ 1 pos.	
High digital input signal	V	See eBOM	
"W"/AC/PICK-UP speed inputs			
"W"/AC/PICK-UP speed input type		"W" or generator frequency or "Pick-up"	
Voltage inputs			
Rated voltage (Ue)	VAC	100...480	
Measurement range	V	100... 480VLL(3PH+N)	
Frequency range	Hz	45...65	
Measurement method		TRMS	
Current inputs			
Rated current (Ie)	A	5A/1A	
Measurement range		0.05...6A or 0.05...1.2A	
Amperometric inputs type		1PH, /5A or /1A	
Measurement method		TRMS	
Static Outputs			
Static output type		5 (SSR)	
Rating	A	2	
Protections		Protected	
Ambient conditions			
Temperature	Operating temperature	min	°C -30
		max	°C +60
Protection degree		IP40, IP65 with optimal gasket seal	
Dimensions			



**Wiring diagrams**



**Certifications and compliance**

**Compliance**

CSA C22.2-N°14

IEC/EN 61010-1

IEC/EN 61010-2-030

IEC/EN 61326-1

UL508

**Certificates**

EAC

UL Listed for USA and Canada (cULus-File E93601)

**ETIM classification**

ETIM 8.0

EC002758 -  
Energy  
management  
controller