



Power supply

Rated battery voltage	V	12/24VDC
-----------------------	---	----------

Digital inputs

Digital input type		5 neg.+ 1 pos.
--------------------	--	----------------

High digital input signal	V	See eBOM
---------------------------	---	----------

"W"/AC/PICK-UP speed inputs

"W"/AC/PICK-UP speed input type		"W" or generator frequency or "Pick-up"
---------------------------------	--	---

Voltage inputs

Rated voltage (Ue)	VAC	100...480
--------------------	-----	-----------

Measurement range	V	100... 480VLL(3PH+N)
-------------------	---	-------------------------

Frequency range	Hz	45...65
-----------------	----	---------

Measurement method		TRMS
--------------------	--	------

Current inputs

Rated current (Ie)	A	5A/1A
--------------------	---	-------

Measurement range		0.05...6A or 0.05...1.2A
-------------------	--	-----------------------------

Amperometric inputs type		1PH, /5A or /1A
--------------------------	--	-----------------

Measurement method		TRMS
--------------------	--	------

Static Outputs

Static output type		5 (SSR)
--------------------	--	---------

Rating	A	2
--------	---	---

Protections		Protected
-------------	--	-----------

Ambient conditions

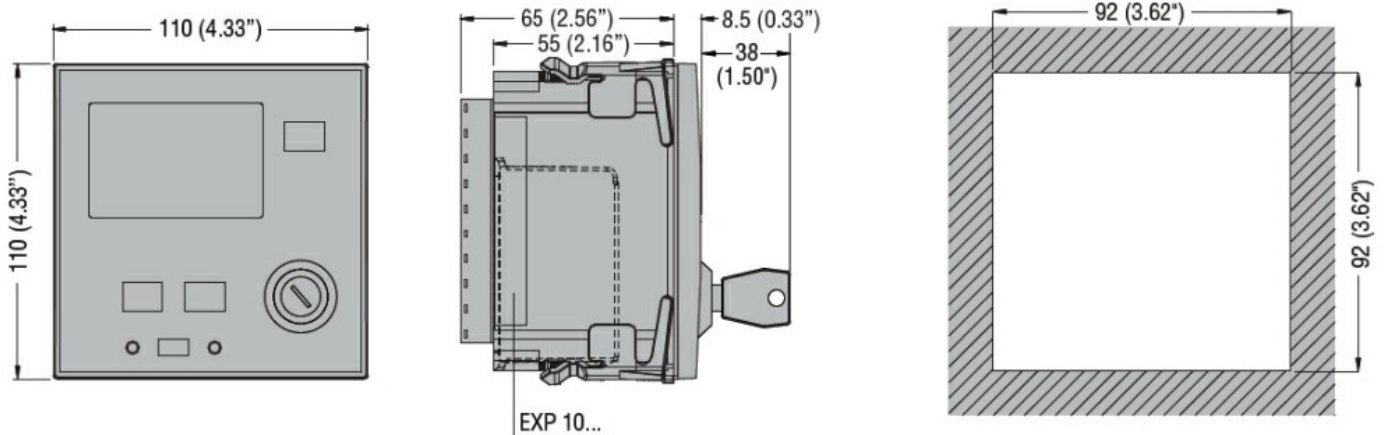
Temperature		
-------------	--	--

Operating temperature

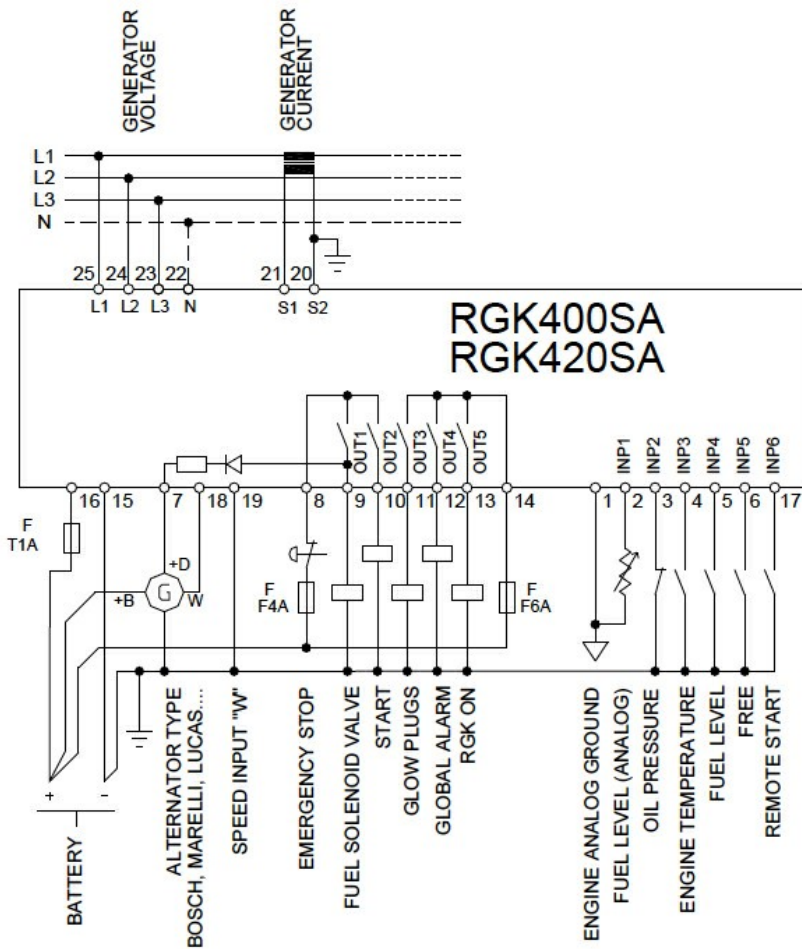
min	°C	-30
max	°C	+60

Protection degree		IP40
-------------------	--	------

Dimensions



Wiring diagrams



Certifications and compliance

Compliance

CSA C22.2-N°14

IEC/EN 61010-1

IEC/EN 61010-2-030

IEC/EN 61326-1

UL508

Certificates

EAC

UL Listed for USA and Canada (cULus-File E93601)

ETIM classification

ETIM 8.0

EC002758 -
Energy
management
controller