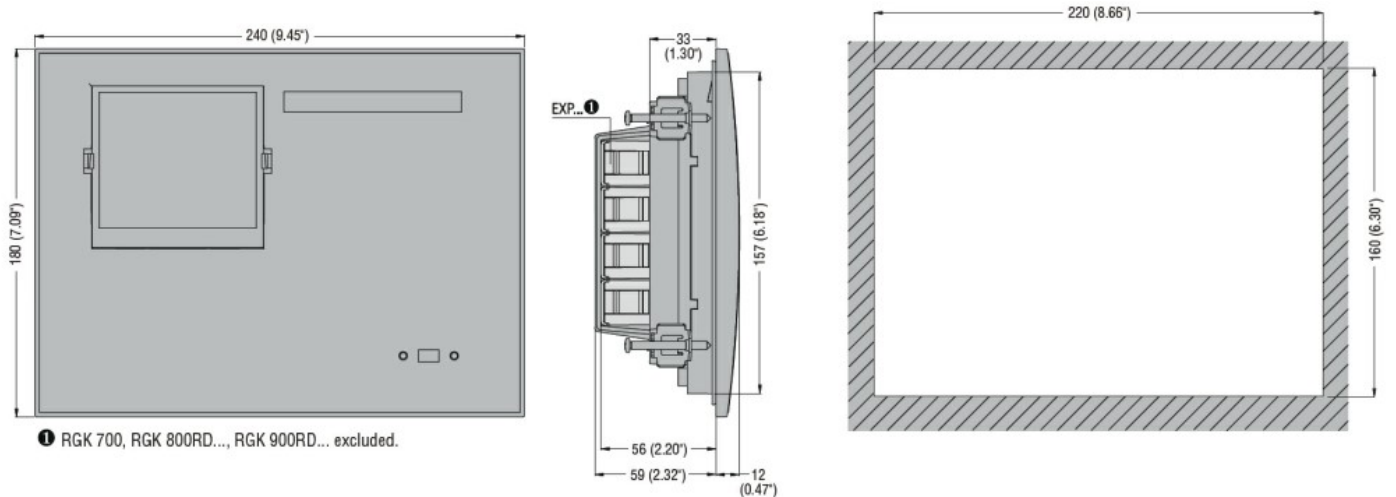
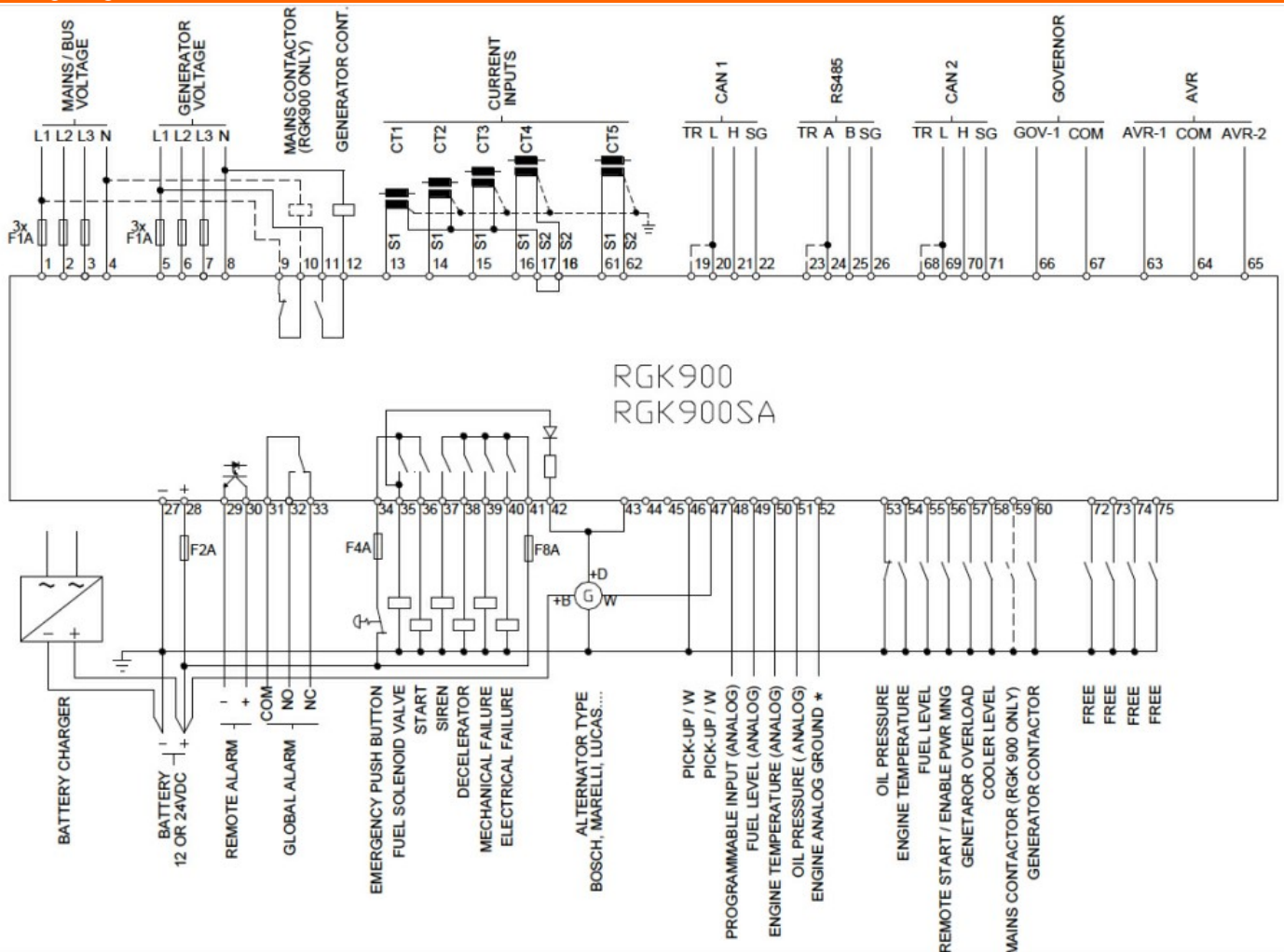




<b>Power supply</b>		
Rated battery voltage	V	12/24VDC
<b>Digital inputs</b>		
Digital input type		12 neg.+ 1 pos.
High digital input signal	V	See eBOM
<b>"W"/AC/PICK-UP speed inputs</b>		
"W"/AC/PICK-UP speed input type		"W" or generator frequency or "Pick-up"
<b>Voltage inputs</b>		
Rated voltage (Ue)	VAC	100...600
Measurement range	V	30...720
Frequency range	Hz	45...65 or 360...440
Measurement method		TRMS
<b>Current inputs</b>		
Rated current (Ie)	A	5A/1A
Measurement range		0.05...6A or 0.05...1.2A
Amperometric inputs type		3PH, /5A or /1A
Measurement method		TRMS
<b>Static Outputs</b>		
Static output type		6 (SSR) + 1 (SO)
Rating	A	2
Protections		Protected
<b>Relay outputs</b>		
Type of output contact		3 (relay)
Rated current at 250V in AC-1	A	8
<b>Interface</b>		
CANbus		Yes
<b>Ambient conditions</b>		
Protection degree		IP65
<b>Dimensions</b>		



### Wiring diagrams



### Certifications and compliance

#### Compliance

CSA C22.2 n° 14  
IEC/EN 61000-6-2  
IEC/EN 61000-6-3  
IEC/EN 61010-1  
UL 508

#### Certificates

EAC

---

UL Listed for USA and Canada (cULus-File E93601)

ETIM classification

ETIM 8.0

EC002758 -  
Energy  
management  
controller