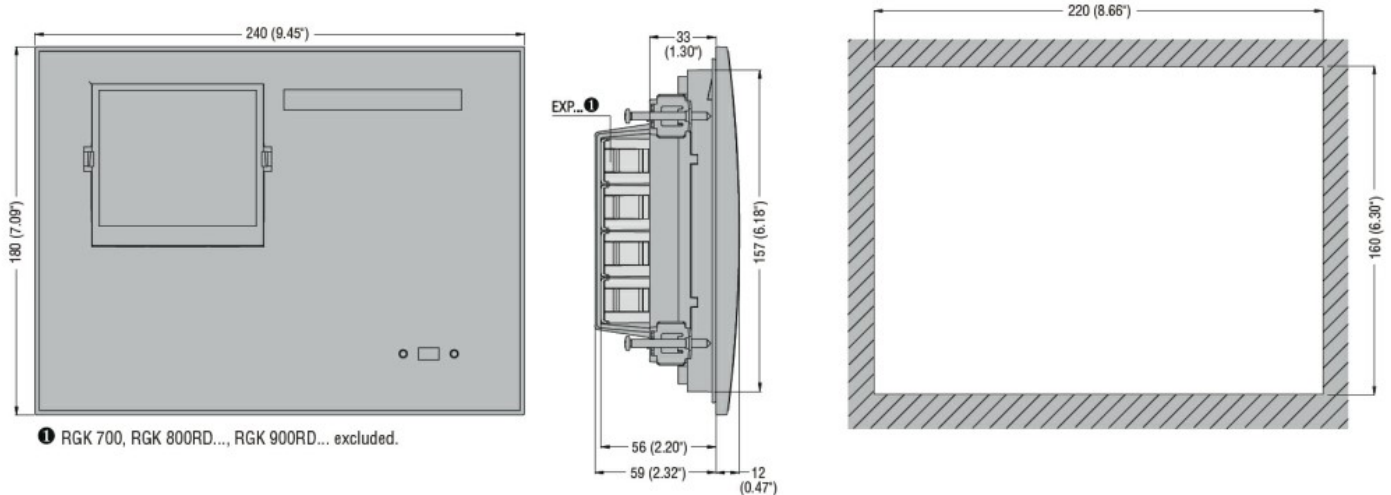


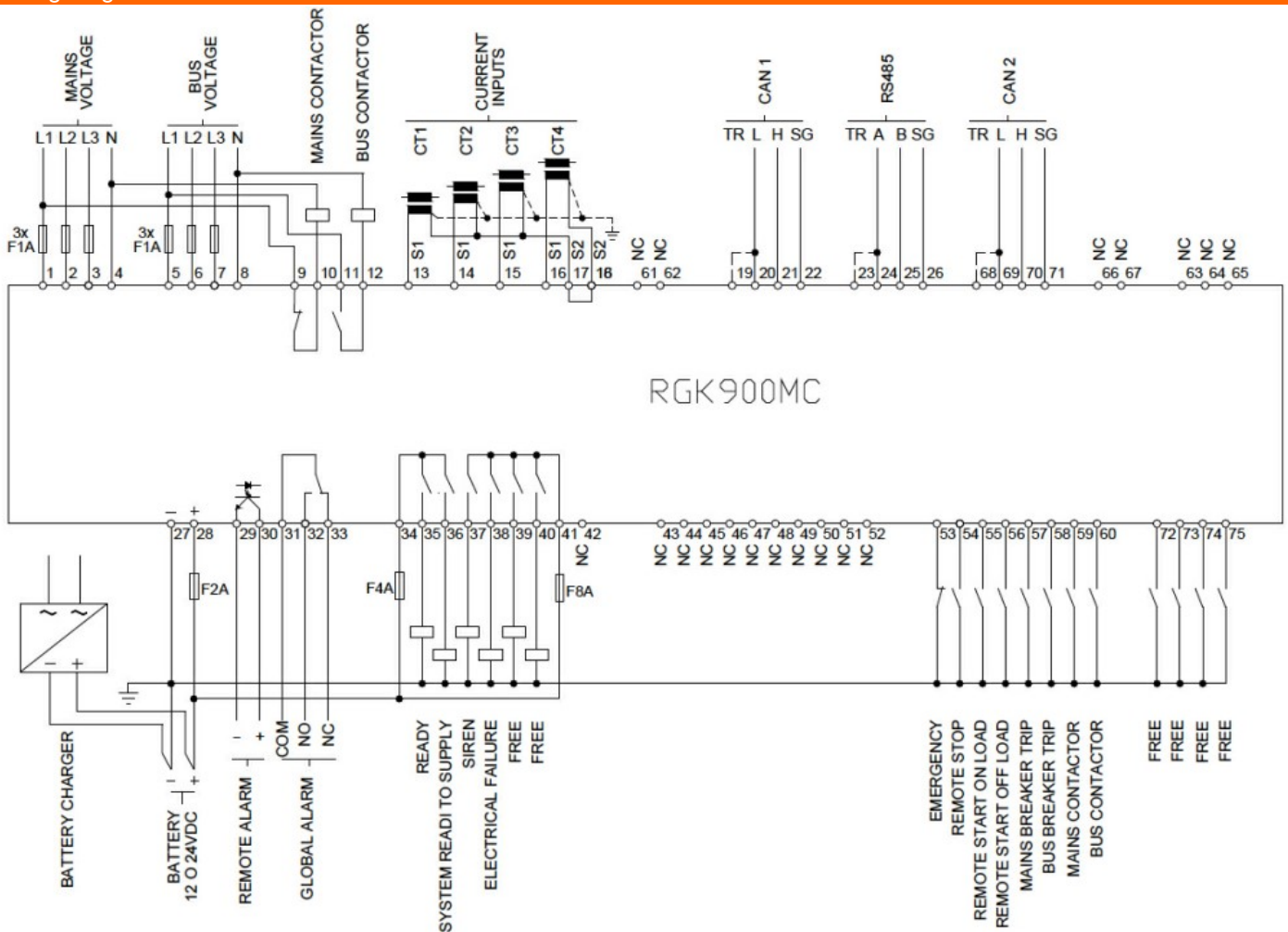


Power supply		
Rated battery voltage	V	12/24VDC
Digital inputs		
Digital input type		12 neg.+ 1 pos.
"W"/AC/PICK-UP speed inputs		
"W"/AC/PICK-UP speed input type		"W" or generator frequency or "Pick-up"
Voltage inputs		
Rated voltage (Ue)	VAC	100...600
Measurement range	V	30...720
Frequency range	Hz	45...65 or 360...440
Measurement method		TRMS
Current inputs		
Rated current (Ie)	A	5A/1A
Measurement range		0.05...6A or 0.05...1.2A
Amperometric inputs type		3PH, /5A or /1A
Measurement method		TRMS
Static Outputs		
Static output type		6 (SSR) + 1 (SO)
Rating	A	2
Protections		Protected
Relay outputs		
Type of output contact		3 (relay)
Rated current at 250V in AC-1	A	8
Interface		
CANbus		Yes
Ambient conditions		
Protection degree		IP65
Dimensions		

CONTROL OF MAINS, AUTOMATIC TRANSFER SWITCHING (ATS), AND PARALLELING ON MULTIPLE GENERATORS CONTROLLED BY RGK900SA. 12/24VDC, GRAPHIC LCD, WITH RS485 PORT AND USB/OPTICAL AND WI-FI POINT PROGRAMMING PORT. EXPANDABLE WITH EXP... MODULES



Wiring diagrams



Certifications and compliance

Compliance

- CSA C22.2 n° 14
- IEC/EN 61000-6-2
- IEC/EN 61000-6-3
- IEC/EN 61010-1
- UL 508

Certificates

EAC

CONTROL OF MAINS, AUTOMATIC TRANSFER SWITCHING (ATS), AND PARALLELING ON MULTIPLE GENERATORS CONTROLLED BY RGK900SA. 12/24VDC, GRAPHIC LCD, WITH RS485 PORT AND USB/OPTICAL AND WI-FI POINT PROGRAMMING PORT. EXPANDABLE WITH EXP... MODULES

UL Listed for USA and Canada (cULus-File E93601)

ETIM classification

ETIM 8.0

EC002758 -
Energy
management
controller