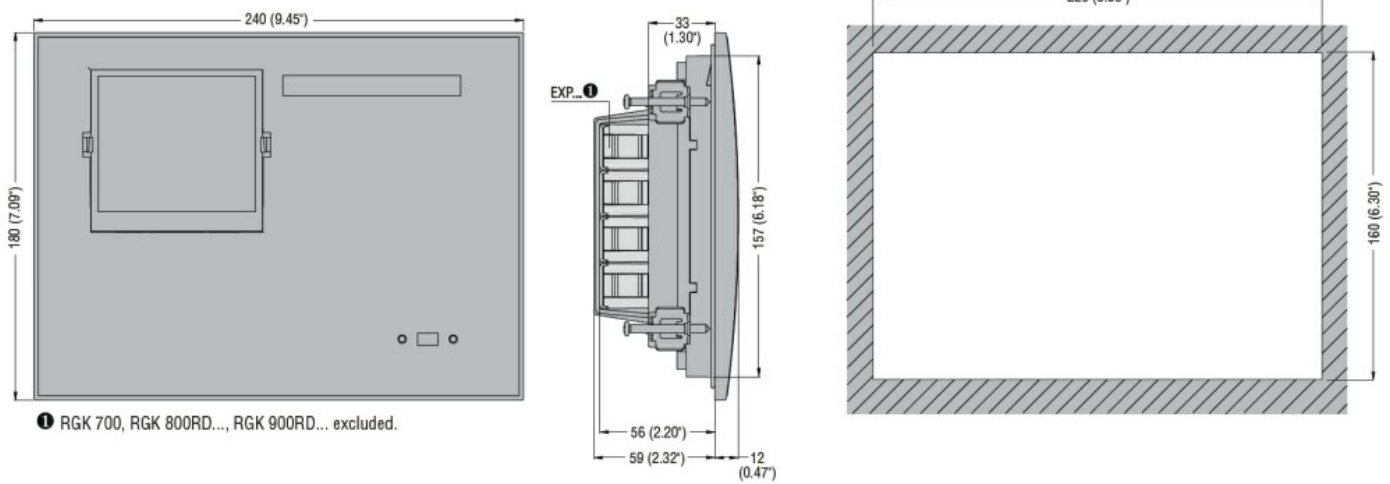




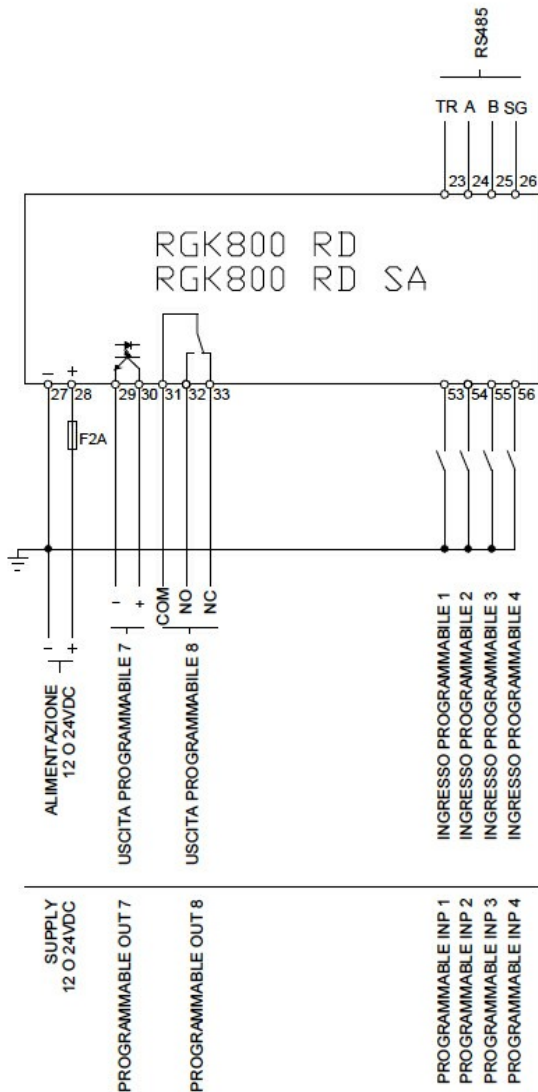
<b>Power supply</b>			
Rated battery voltage	V	12/24VDC	
<b>Digital inputs</b>			
Digital input type		3 neg.+ 1 pos.	
<b>Static Outputs</b>			
Static output type		2	
<b>Mechanical features</b>			
Conductor cross section		min	mm <sup>2</sup> 0.2
		Max	mm <sup>2</sup> 2.5
		min	AWG 24 or 18 UL/CSA
		Max	AWG 12

Tightening torque (Max)	Nm	0.56
	lbin	4.5

<b>Ambient conditions</b>	
Protection degree	IP65
<b>Dimensions</b>	



**Wiring diagrams**



## Certifications and compliance

### Compliance

CSA C22.2 n° 14

IEC 61000-6-3

IEC/EN 61000-6-2

IEC/EN 61010-1

UL508

### Certificates

EAC

UL Listed for USA and Canada (cULus-File E93601)

## ETIM classification

ETIM 8.0

EC002498 -  
Accessories/spare  
parts for low-  
voltage switch  
technology