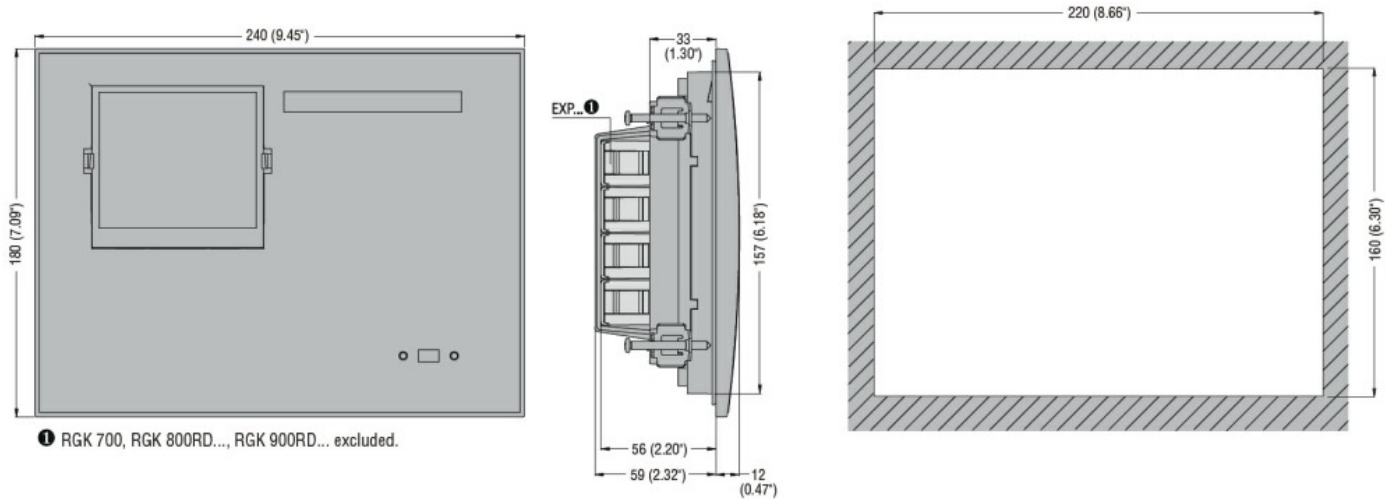
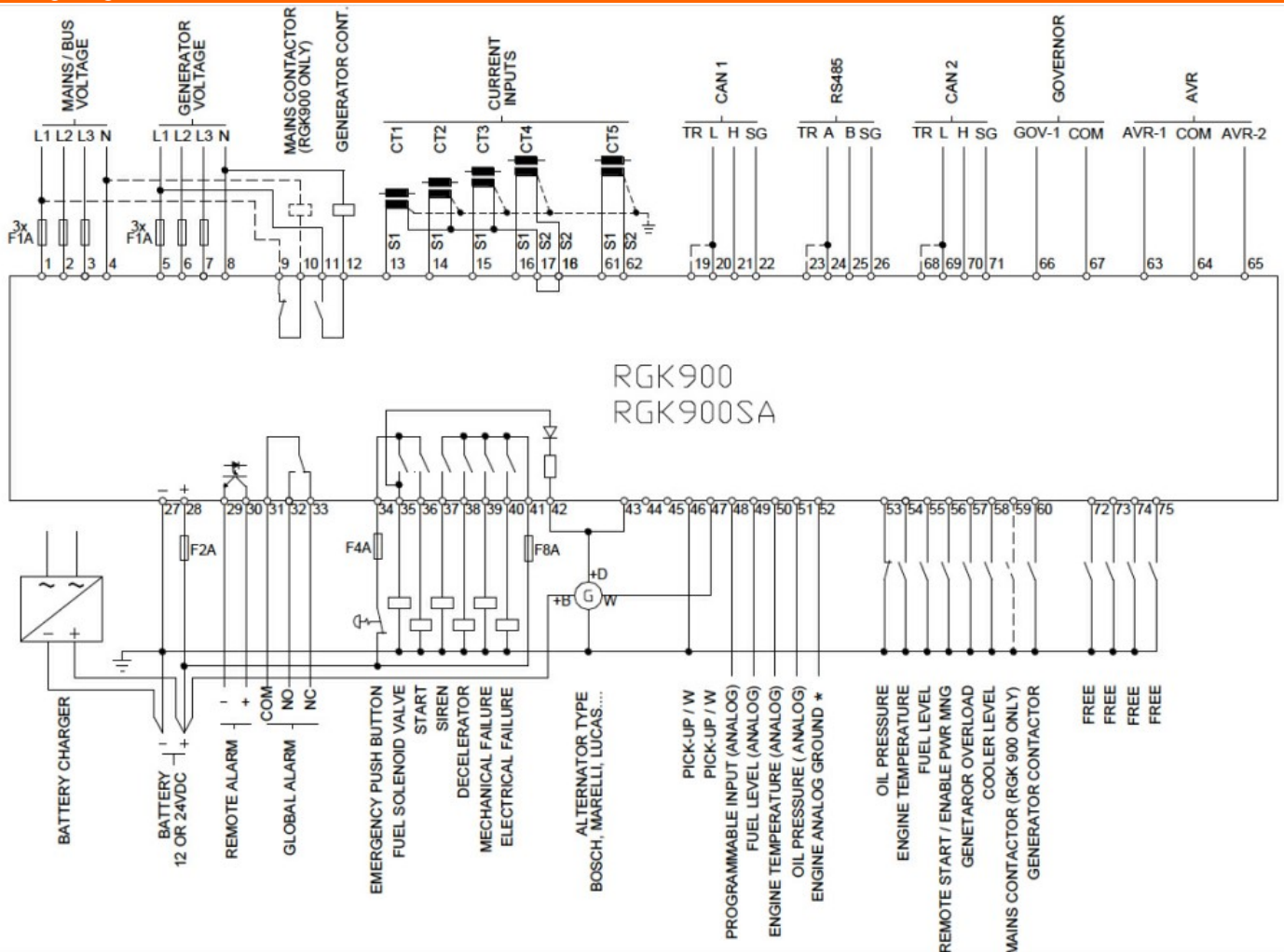




|                                    |     |   |
|------------------------------------|-----|---|
| <b>Power supply</b>                |     |   |
| Rated battery voltage              | V   | 12/24VDC                                |
| <b>Digital inputs</b>              |     |   |
| Digital input type                 |     | 12 neg.+ 1 pos.                         |
| <b>"W"/AC/PICK-UP speed inputs</b> |     |   |
| "W"/AC/PICK-UP speed input type    |     | "W" or generator frequency or "Pick-up" |
| <b>Voltage inputs</b>              |     |   |
| Rated voltage (Ue)                 | VAC | 100...600                               |
| Measurement range                  | V   | 30...720                                |
| Frequency range                    | Hz  | 45...65 or 360...440                    |
| Measurement method                 |     | TRMS                                    |
| <b>Current inputs</b>              |     |   |
| Rated current (Ie)                 | A   | 5A/1A                                   |
| Measurement range                  |     | 0.05...6A or 0.05...1.2A                |
| Amperometric inputs type           |     | 3PH, /5A or /1A                         |
| Measurement method                 |     | TRMS                                    |
| <b>Static Outputs</b>              |     |   |
| Static output type                 |     | 6 (SSR) + 1 (SO)                        |
| Rating                             | A   | 2                                       |
| Protections                        |     | Protected                               |
| <b>Relay outputs</b>               |     |   |
| Type of output contact             |     | 3 (relay)                               |
| Rated current at 250V in AC-1      | A   | 8                                       |
| <b>Interface</b>                   |     |   |
| CANbus                             |     | Yes                                     |
| <b>Ambient conditions</b>          |     |   |
| Protection degree                  |     | IP65                                    |
| <b>Dimensions</b>                  |     |   |



### Wiring diagrams



### Certifications and compliance

#### Compliance

CSA C22.2 n° 14  
IEC/EN 61000-6-2  
IEC/EN 61000-6-3  
IEC/EN 61010-1  
UL 508

#### Certificates

EAC

---

UL Listed for USA and Canada (cULus-File E93601)

ETIM classification

ETIM 8.0

EC002758 -  
Energy  
management  
controller