



**Power supply**

Rated battery voltage	V	100/240VAC - 12/24VDC
-----------------------	---	--------------------------

**Static Outputs**

Static output type	(SSR)
--------------------	-------

**Interface**

CANbus	Yes
--------	-----

**Mechanical features**

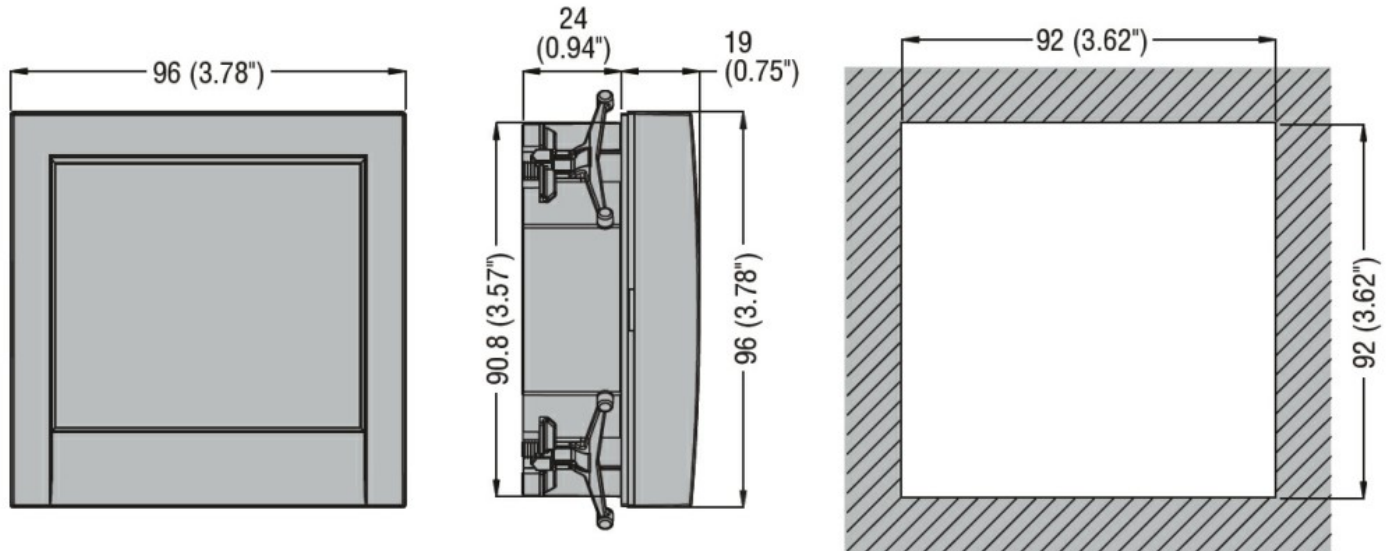
Conductor cross section			
	min	mm <sup>2</sup>	0.2
	Max	mm <sup>2</sup>	2.5
	min	AWG	24 or 18 UL/CSA
	Max	AWG	12

Tightening torque (Max)		
	Nm	0.56
	lbin	4.5

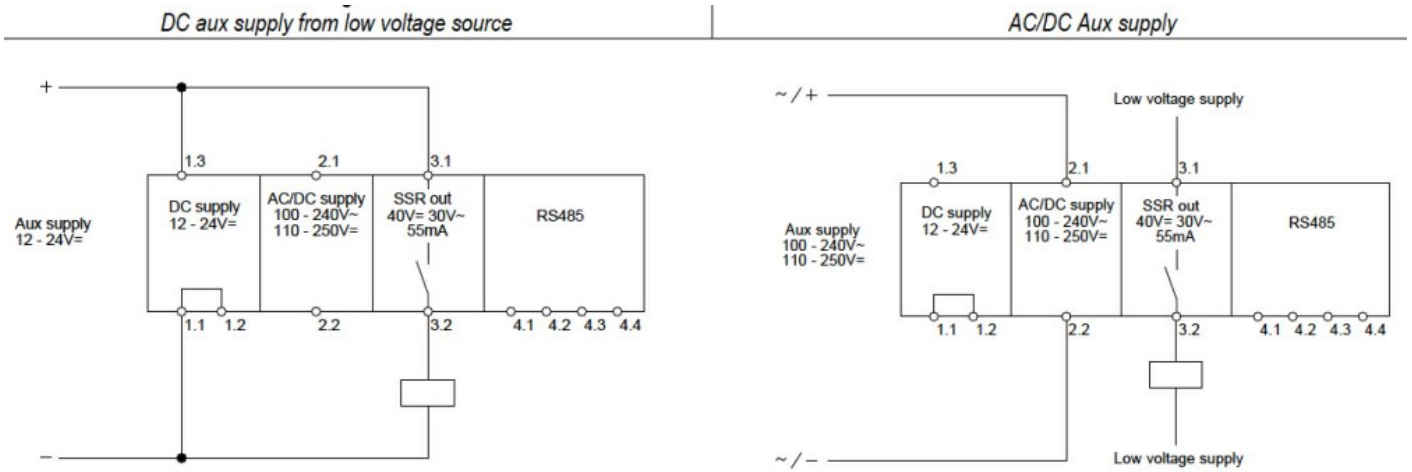
**Ambient conditions**

Protection degree	IP54
-------------------	------

**Dimensions**



**Wiring diagrams**



**Certifications and compliance**

Compliance

- CSA C22.2 n° 14
- IEC 61000-6-3
- IEC/EN 61000-6-2
- IEC/EN 61010-1
- UL508

Certificates

- EAC
- UL Listed for USA and Canada (cULus-File E93601)

**ETIM classification**

ETIM 8.0

EC001427 -  
Mobile panel