



**Power supply**

Rated battery voltage V 12/24VDC

**Interface**

CANbus Yes

**Mechanical features**

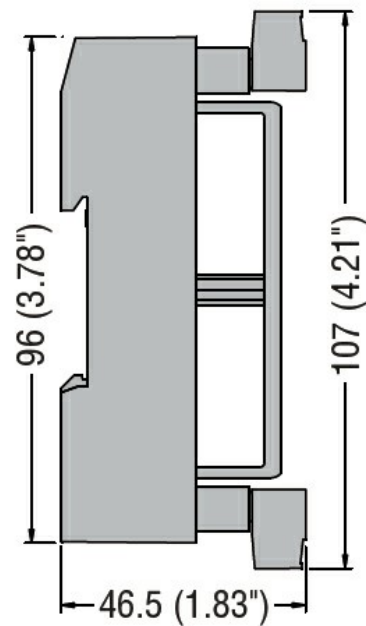
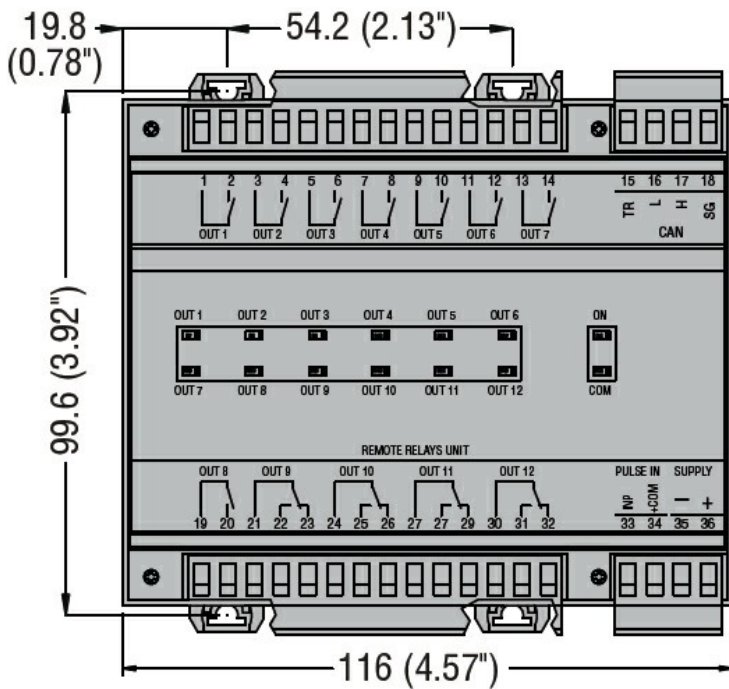
Conductor cross section

	min	mm <sup>2</sup>	0.2
	Max	mm <sup>2</sup>	2.5
	min	AWG	24
	Max	AWG	12

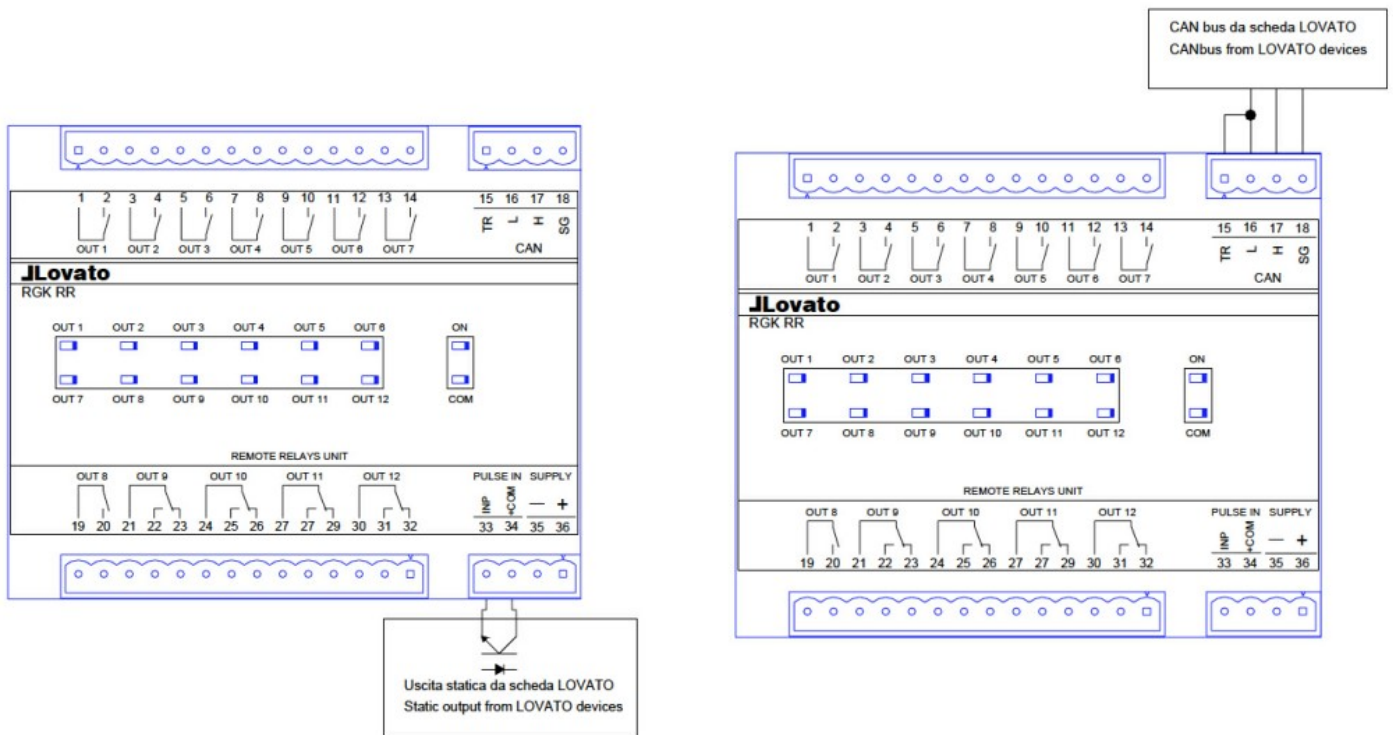
Tightening torque (Max)

	Nm	0.56
	lbin	4.5

**Dimensions**



**Wiring diagrams**



### Certifications and compliance

#### Compliance

CSA C22.2 n° 14

IEC 61000-6-3

IEC/EN 61000-6-2

IEC/EN 61010-1

UL508

#### Certificates

EAC

UL Listed for USA and Canada (cULus-File E93601)

### ETIM classification

ETIM 8.0

EC002498 -  
Accessories/spare  
parts for low-  
voltage switch  
technology