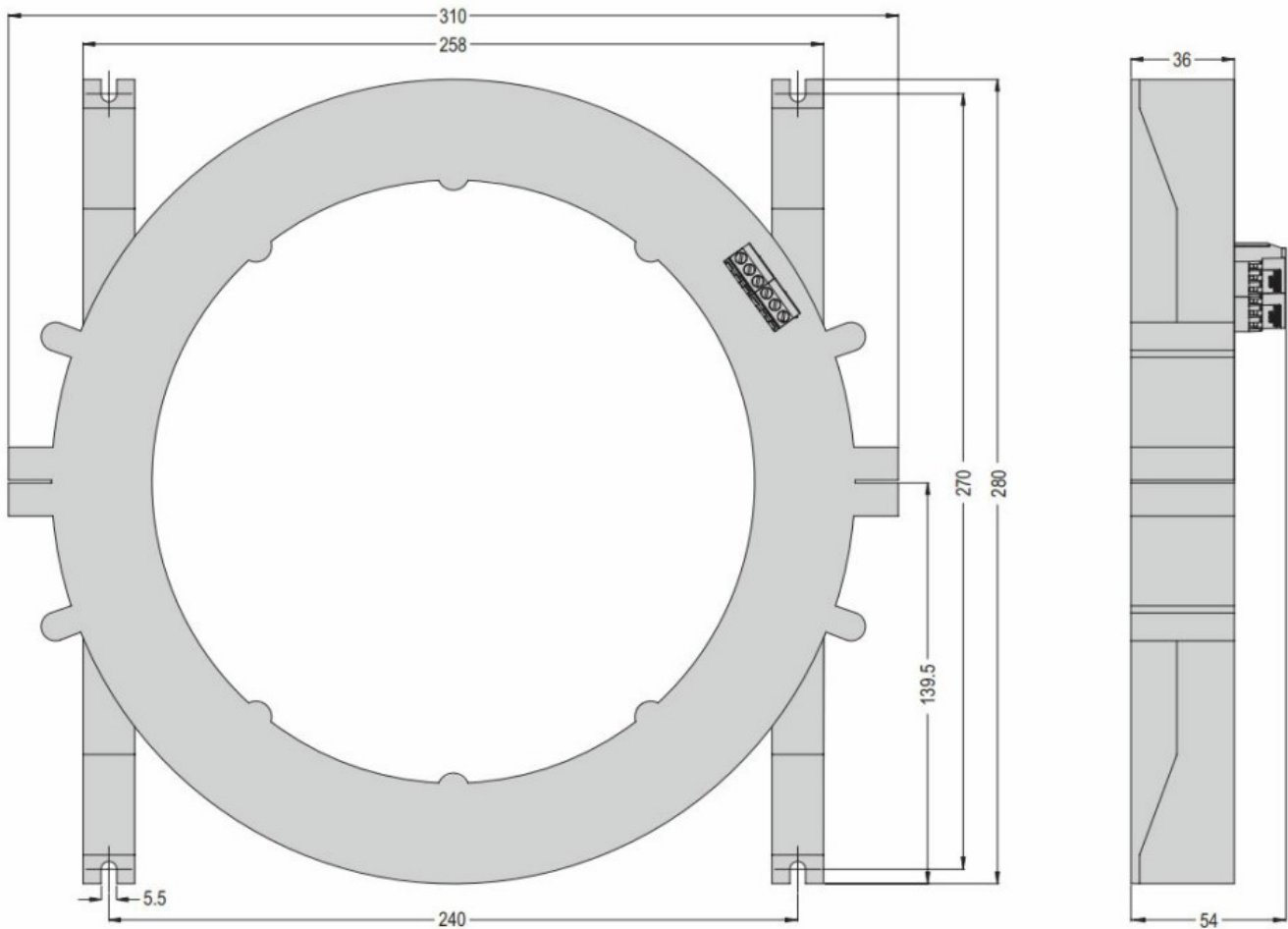




General characteristics	
Residual operation characteristic	Type B
Control circuit	
Toroidal transformer	Diam. 210 mm/8.27"
Dimensions	



Certifications and compliance	
Compliant with standards	IEC/EN/BS 60947-2

ETIM classification	
ETIM 8.0	EC002048 - Current transformer