



Electrical features

| | | |
|--|---------|----------------------------------|
| IEC Maximum continuous voltage U_c | V | 275 |
| IEC Maximum discharge current I_{max} 8/20 (L-N/N-PE) | kA | 40 / 40 |
| IEC Rated discharge current (IEC) I_n 8/20 (L-N/N-PE) | kA | 20 |
| IEC Voltage protection level U_p (L-N/N-PE) | kV | <1.5 / <1.5 |
| Tripping time t_a (L-N/N-PE) | ns | <25 / 100 |
| Thermal insulation protection | | YES |
| IEC Backup protection fuse with supply fuse >63A (L-N/N-PE) | Class/A | 63A Gg |
| IEC Backup protection fuse with supply fuse >100A (L-N/N-PE) | Class/A | 100A gG |
| IEC Maximum short circuit current at 50Hz | kA | 25 |
| Status indicator - operating / end of life | | Frontal indication / Aux contact |

Ambient conditions

Operating temperature

| | | |
|-----|----|-----|
| min | °C | -40 |
| max | °C | +85 |

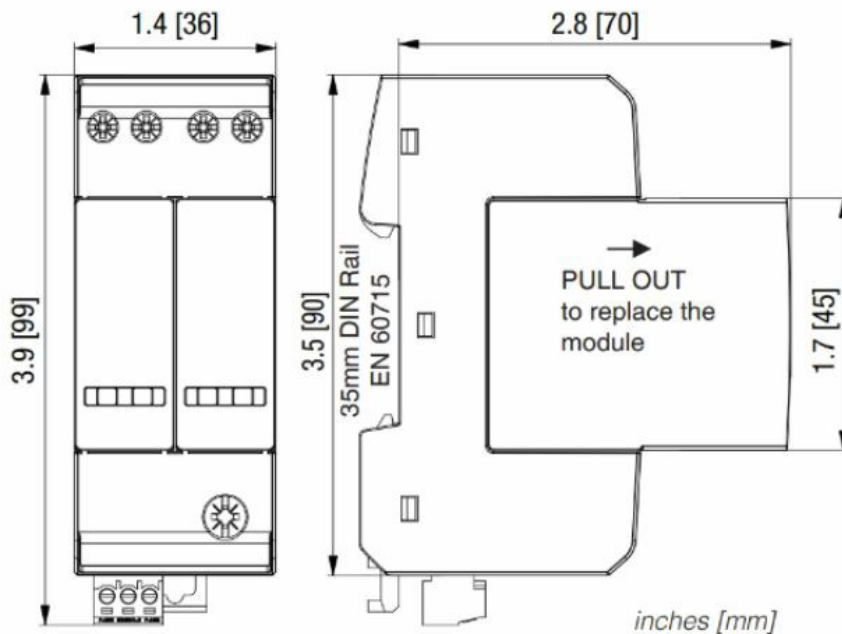
Max altitude

| | |
|---|------|
| m | 2000 |
|---|------|

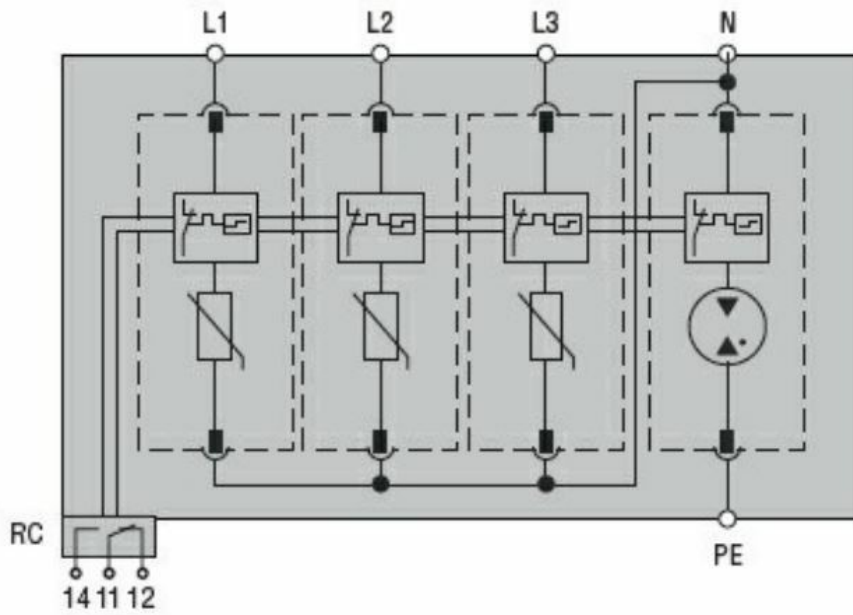
Mechanical features

| | | |
|--------------------------------------|-----------------|-------------------|
| Fixing | | Din rail |
| Conductor section Flexible max (IEC) | mm ² | 4 (L,N) / 25 (PE) |
| Conductor section Rigid max (IEC) | mm ² | 6 (L,N) / 35 (PE) |
| Weight | g | 527 |

Dimensions



Wiring diagrams



Certifications and compliance

Certificates

CE

ETIM classification

ETIM 8.0

EC000941 -
 Surge protection
 device for power
 supply systems