



Electrical features

| | | |
|--|---------|--------------------------------|
| Rated operational voltage DC | VDC | 1100 |
| Maximum continuous voltage Ucpv | V | 1100 |
| IEC Maximum discharge current I _{max} 8/20 (L-N/N-PE) | kA | 40 |
| IEC Rated discharge current (IEC) I _n 8/20 (L-N/N-PE) | kA | 20 |
| IEC Voltage protection level U _p (L-N/N-PE) | kV | <3.8 |
| Tripping time t _a (L-N/N-PE) | ns | <25 |
| Thermal insulation protection | | YES |
| Backup protection fuse (IEC) with I _{sc} >100A | Class/A | Not needed |
| Maximum short circuit current I _{scpv} | kA | 11 |
| Status indicator - operating / end of life | | Frontal indication/Aux contact |

Ambient conditions

| | | | |
|-----------------------|-----|----|------|
| Operating temperature | min | °C | -40 |
| | max | °C | +85 |
| Max altitude | | m | 2000 |

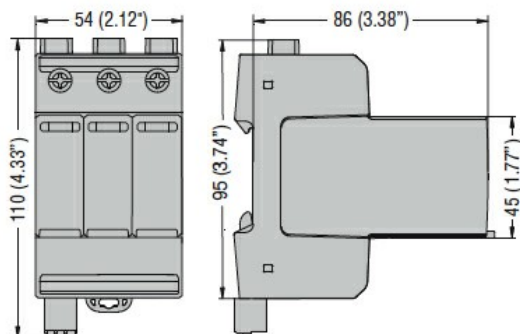
Mechanical features

| | | |
|--------------------------------------|-----------------|----------|
| Fixing | | Din rail |
| Conductor section Flexible max (IEC) | mm ² | 25 |
| Conductor section Rigid max (IEC) | mm ² | 35 |
| Weight | g | 454 |

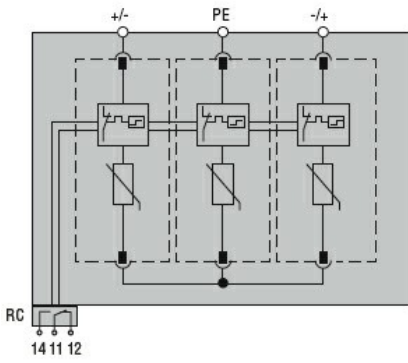
Relay output for remote status indication

| | | | |
|------------------|---------|----|-----|
| Type of contact | | CO | |
| Rated current at | 250V AC | A | 1 |
| | 12V DC | A | 0.5 |
| | 24V DC | A | 0.5 |

Dimensions



Wiring diagrams



Certifications and compliance

Compliance

IEC/EN/BS 50539-11

Certificates

EAC

ETIM classification

ETIM 8.0

EC000941 -
Surge protection
device for power
supply systems