



Electrical features

| | | | |
|---|-----|------------|------|
| Number of poles | Nr. | 3 | |
| Magnetic protection | | yes | |
| Thermal protection | | yes | |
| Phase failure detection | | yes | |
| Rated insulation voltage U_i IEC/EN | V | 690 | |
| Rated impulse withstand voltage U_{imp} | kV | 6 | |
| Rated frequency | Hz | 50/60 | |
| Thermal trip adjustment range | | 6.3...10 | |
| Rated current (I_n) | A | 10 | |
| Magnetic tripping | | 13 x I_n | |
| Power dissipation per pole | min | W | 1.03 |
| | max | W | 2.61 |

| | | | |
|--|------|----|-----|
| Operational short-circuit current breaking capacity (I_{cs}) at AC | 230V | kA | 100 |
| | 400V | kA | 100 |
| | 440V | kA | 13 |
| | 500V | kA | 13 |
| | 690V | kA | 3 |

| | | | |
|--|------|----|-----|
| Maximum short-circuit current breaking capacity (I_{cu}) at AC | 230V | kA | 100 |
| | 400V | kA | 100 |
| | 440V | kA | 25 |
| | 500V | kA | 25 |
| | 690V | kA | 3 |

| | | |
|--------------------------|--|-----|
| Tripping class | | 10A |
| IEC Utilization category | | A |

Operations

| | | |
|-----------------|--------|--------|
| Mechanical life | cycles | 100000 |
| Electrical life | cycles | 100000 |

Mechanical features

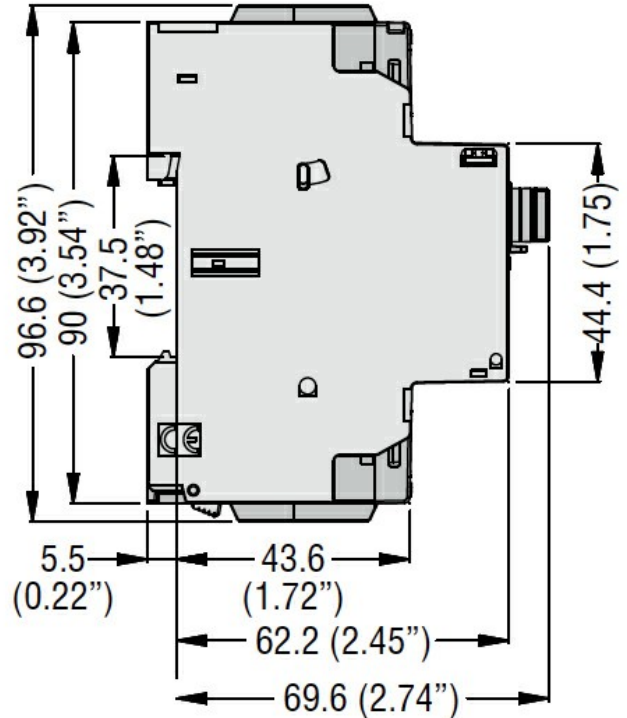
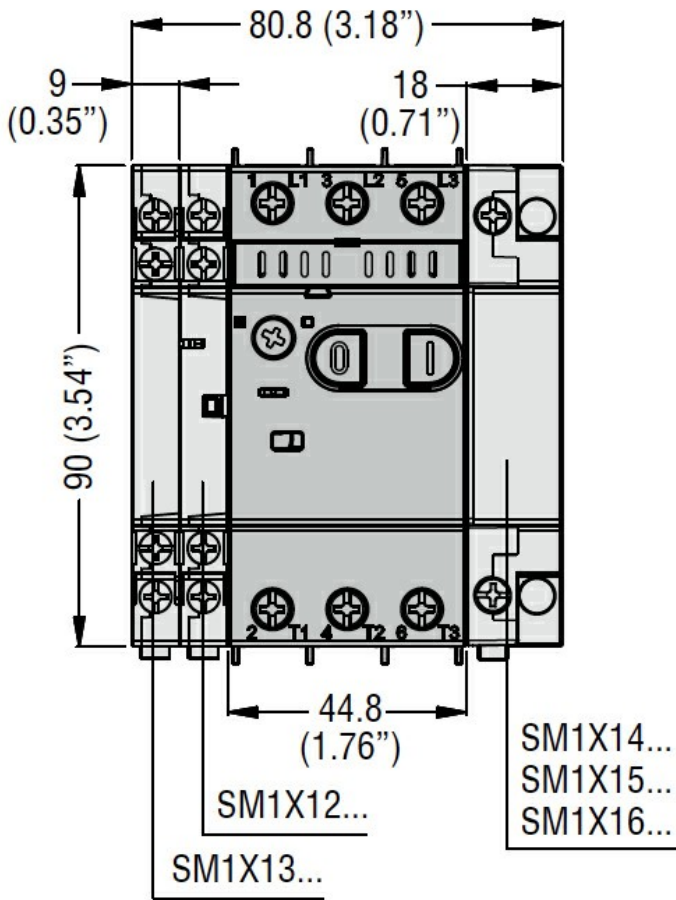
| | | | |
|---------------------------------|-----|------|------|
| Tightening torque for terminals | min | Nm | 2.5 |
| | max | Nm | 3 |
| | min | lbin | 22 |
| | max | lbin | 26.5 |

| | | |
|--|-----|---|
| Max number of wires simultaneously connectable | Nr. | 2 |
|--|-----|---|

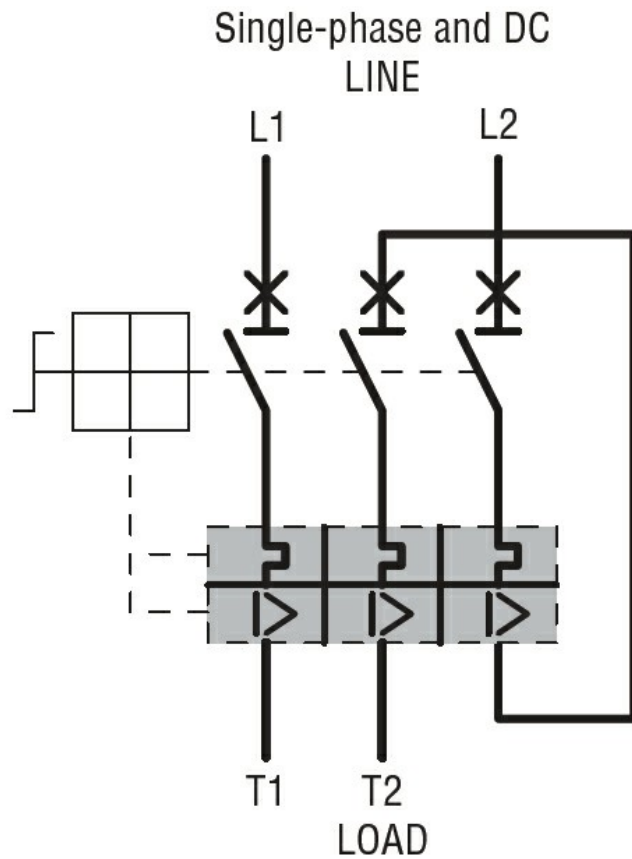
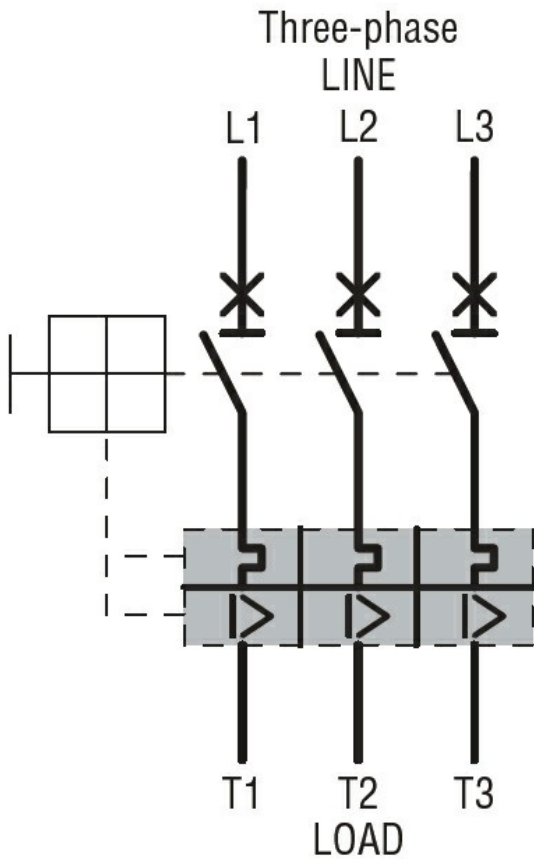
| | | | |
|-------------------|-----------|-----|----|
| Conductor section | AWG/Kcmil | min | 16 |
| | | max | 8 |

| | | | |
|------------------------------------|-----|-----------------|----|
| Flexible w/o lug conductor section | min | mm ² | 1 |
| | max | mm ² | 10 |

| | | | |
|---|------------------|-----------------|--------------------------|
| Flexible c/w lug conductor section | min | mm ² | 1 |
| | max | mm ² | 10 |
| Flexible with insulated spade lug conductor section | min | mm ² | 1 |
| | max | mm ² | 10 |
| Screwdriver | | | PH2 |
| Power terminal protection according to IEC/EN 60529 | | | IP20 on front |
| Cable stripping length | main circuit | mm | 10 |
| Ambient conditions | | | |
| Temperature | | | |
| Operating temperature | min | °C | -20 |
| | max | °C | +60 |
| Storage temperature | min | °C | -50 |
| | max | °C | +80 |
| Compensation temperature | min | °C | -20 |
| | max | °C | +50 |
| Max altitude | | m | 3000 |
| Operating position | normal allowable | | Vertical plan Any |
| Fixing | | | Screw / DIN rail 35mm |
| Weight | | g | 350 |
| UL technical data | | | |
| Motor Disconnect | at 240V | kA | 30 |
| | at 480V | kA | 30 |
| | at 600V | kA | 30 |
| | protection | | 100A class J |
| Group Motor Installation | at 240V | kA | 30 |
| | at 480V | kA | 30 |
| | at 600V | kA | 30 |
| | protection | | 100A class J |
| Tap Conductor Protection | at 480Y/277V | kA | 50 |
| | at 600Y/347V | kA | 50 |
| Maximum UL/CSA horsepower ratings single-phase | 110V-120V | HP | 1/2 |
| | 220V-240V | HP | 1.5 |
| Maximum UL/CSA horsepower ratings three-phase, 3-pole | 200V-208V | HP | 2 |
| | 220V-240V | HP | 3 |
| | 440V-480V | HP | 5 |
| | 550V-600V | HP | 7.5 |
| Dimensions | | | |



Wiring diagrams



Certifications and compliance

Certifications

CSA C22.2 n° 14

IEC/EN 60947-1

IEC/EN 60947-2

IEC/EN 60947-4-1

UL508

Compliance

cULus

EAC
