



Electrical features

Rated insulation voltage U_i IEC/EN	V	690
Rated impulse withstand voltage U_{imp}	kV	6
Rated frequency	Hz	50/60
Rated current (I_n)	A	0.2
Magnetic tripping		1.2A
Power dissipation per pole	min	W 0.81
	max	W 1.97

Operational short-circuit current breaking capacity (I_{cs}) at AC	230V	kA	100
	400V	kA	100
	440V	kA	100
	500V	kA	100
	690V	kA	100

Maximum short-circuit current breaking capacity (I_{cu}) at AC	230V	kA	100
	400V	kA	100
	440V	kA	100
	500V	kA	100
	690V	kA	100

IEC Utilization category	A
--------------------------	---

Operations

Mechanical life	cycles	100000
Electrical life	cycles	100000

Mechanical features

Tightening torque for terminals	min	lbin	22
	max	lbin	26.5

Conductor section	Flexible w/o lug conductor section	min	mm ²	1
		max	mm ²	10
	Flexible c/w lug conductor section	min	mm ²	1
		max	mm ²	10
	Flexible with insulated spade lug conductor section	min	mm ²	1
		max	mm ²	10

Cable stripping length	main circuit	mm	10
------------------------	--------------	----	----

Ambient conditions

Operating position	normal allowable	Vertical plan Any
--------------------	------------------	-------------------

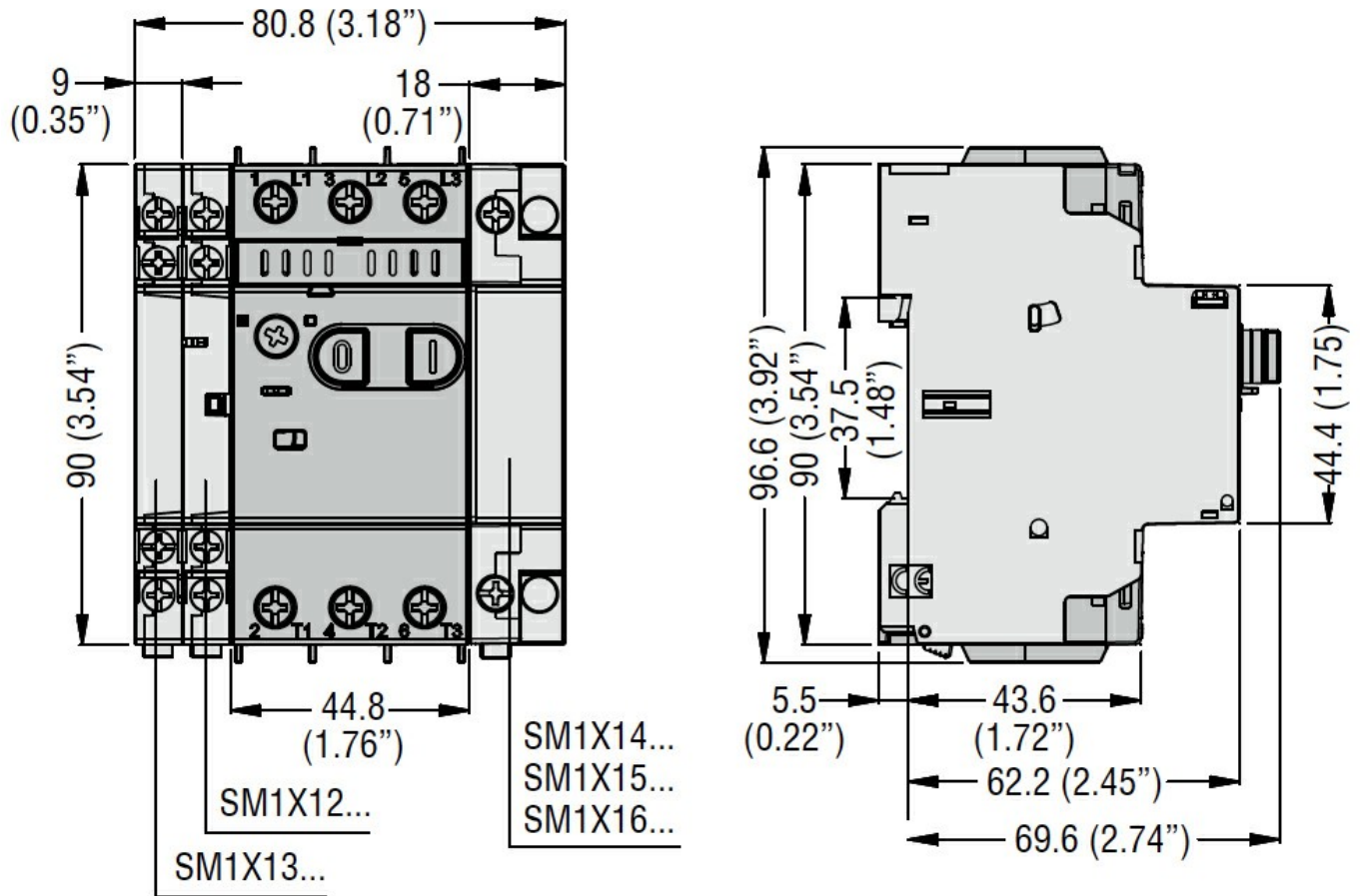
Fixing	Screw / DIN rail 35mm
Weight	g 280

UL technical data

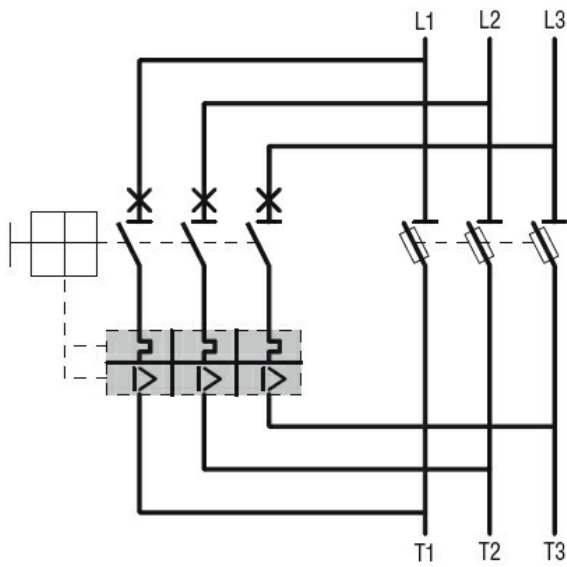
Motor Disconnect			
	at 240V	kA	50
	at 480V	kA	50
	at 600V	kA	50
	protection		Fuse or CB

Group Motor Installation			
	at 240V	kA	50
	at 480V	kA	50
	at 600V	kA	50
	protection		Fuse or CB

Dimensions



Wiring diagrams



Certifications and compliance

Certifications

CSA C22.2 n° 14
IEC/EN 60947-1
IEC/EN 60947-2
IEC/EN 60947-4-1
UL508

Compliance

cULus
EAC

ETIM classification

ETIM 8.0

EC000074 -
Motor protection
circuit-breaker