



### Electrical features

Magnetic protection		yes
Thermal protection		no
Rated insulation voltage $U_i$ IEC/EN	V	690
Rated impulse withstand voltage $U_{imp}$	kV	6
Rated frequency	Hz	50/60
Rated current ( $I_n$ )	A	0.4
Magnetic tripping		13 x $I_n$
Power dissipation per pole	min	W 0.78
	max	W 1.99

Operational short-circuit current breaking capacity ( $I_{cs}$ ) at AC	230V	kA	100
	400V	kA	100
	440V	kA	100
	500V	kA	100
	690V	kA	100

Maximum short-circuit current breaking capacity ( $I_{cu}$ ) at AC	230V	kA	100
	400V	kA	100
	440V	kA	100
	500V	kA	100
	690V	kA	100

IEC Utilization category	A
--------------------------	---

### Operations

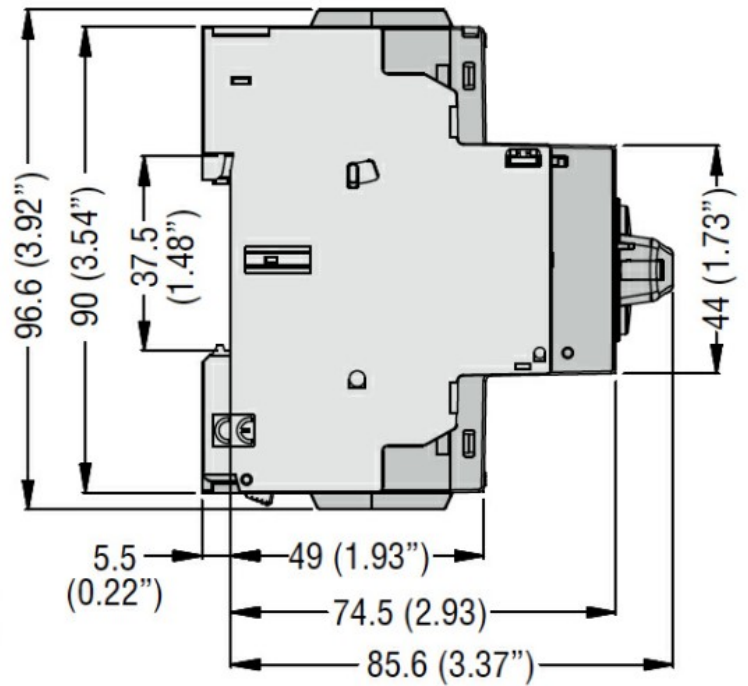
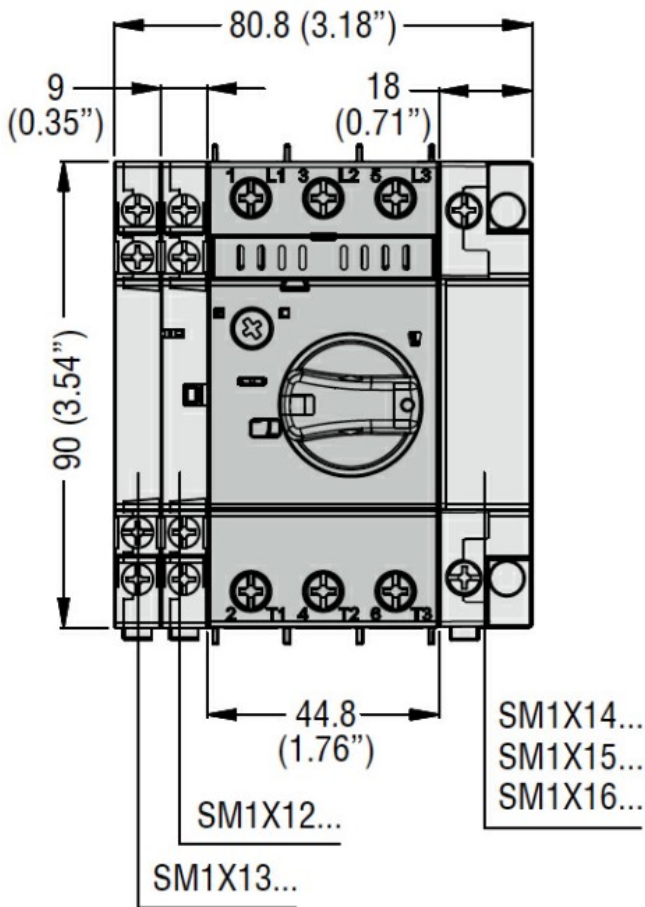
Mechanical life	cycles	100000
Electrical life	cycles	100000

### Mechanical features

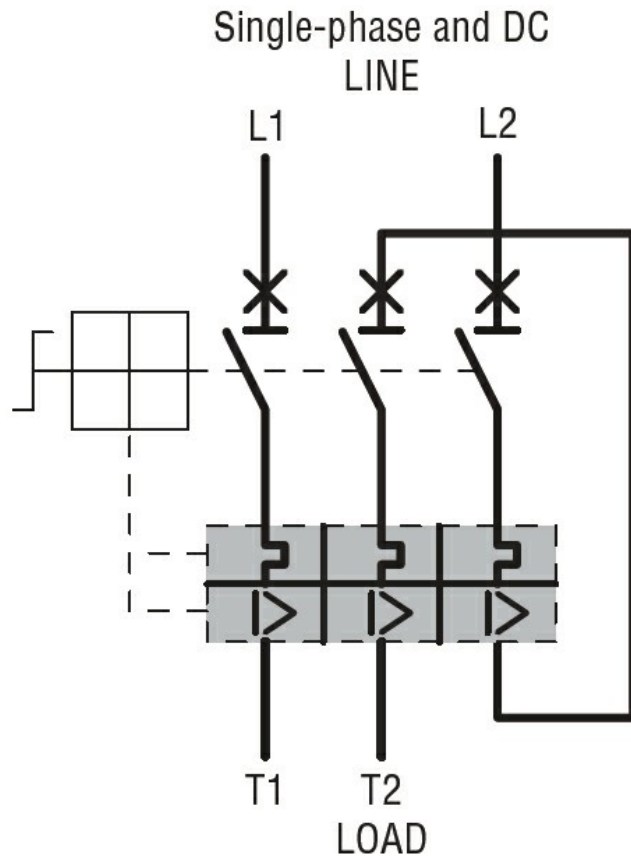
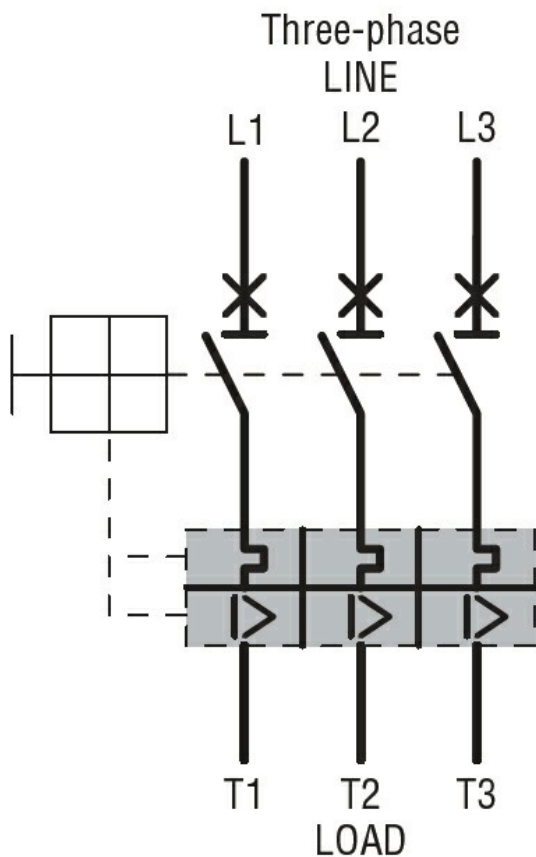
Tightening torque for terminals	min	Nm	2.5
	max	Nm	3
	min	lbin	22
	max	lbin	26.5

Conductor section	AWG/Kcmil	min	16
		max	8
Flexible w/o lug conductor section		min	mm <sup>2</sup> 1
		max	mm <sup>2</sup> 10
Flexible c/w lug conductor section		min	mm <sup>2</sup> 1
		max	mm <sup>2</sup> 10
Flexible with insulated spade lug conductor section		min	mm <sup>2</sup> 1

		max	mm <sup>2</sup>	10
Screwdriver				PH2
Cable stripping length		main circuit	mm	10
<b>Ambient conditions</b>				
Temperature	Operating temperature	min	°C	-20
		max	°C	+60
	Storage temperature	min	°C	-50
		max	°C	+80
	Compensation temperature	min	°C	-20
		max	°C	+50
Max altitude			m	3000
Operating position		allowable		Any
Fixing				Screw / DIN rail 35mm
Weight			g	320
<b>UL technical data</b>				
Motor Disconnect		at 240V	kA	65
		at 480V	kA	65
		at 600V	kA	50
		protection		Fuse or CB
Group Motor Installation		at 480V	kA	50
		at 600V	kA	50
		protection		Fuse or CB
Tap Conductor Protection		at 480Y/277V	kA	50
		at 600Y/347V	kA	50
<b>Dimensions</b>				



**Wiring diagrams**



**Certifications and compliance**

Certifications

CSA C22.2 n° 60947-4-1

IEC/EN 60947-1

IEC/EN 60947-2

IEC/EN 60947-4-1

UL60947-4-1

Compliance

cULus

EAC

ETIM classification

ETIM 8.0

EC000074 -  
Motor protection  
circuit-breaker