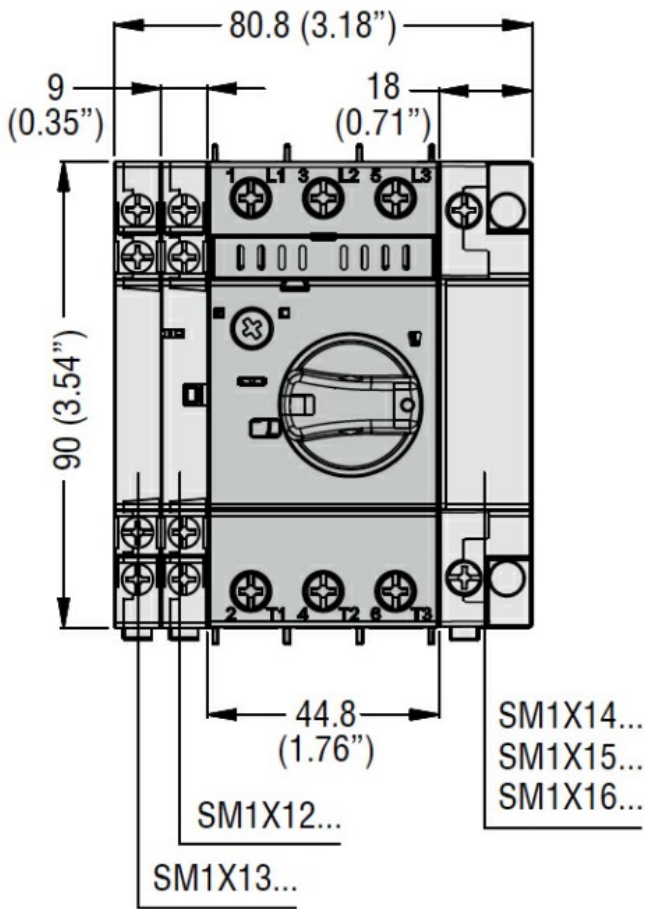


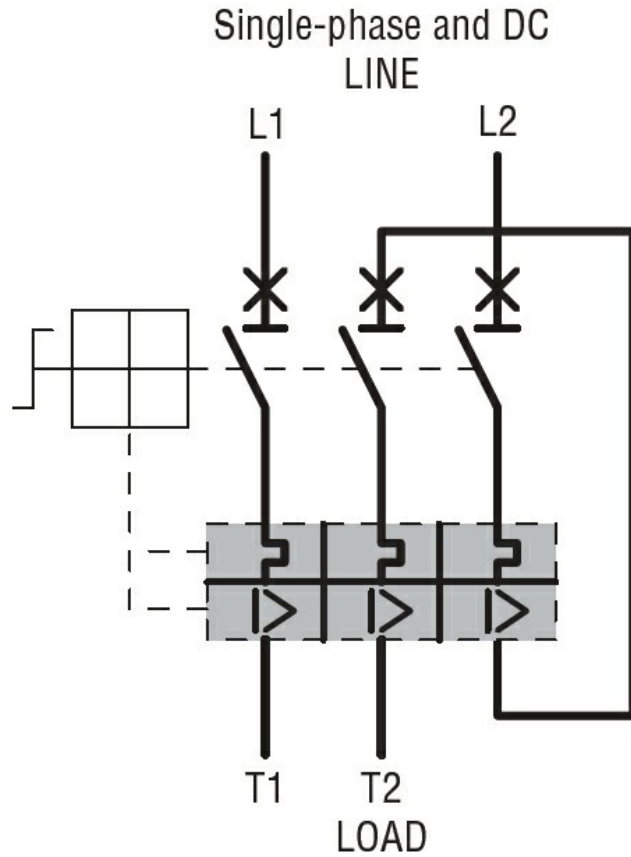
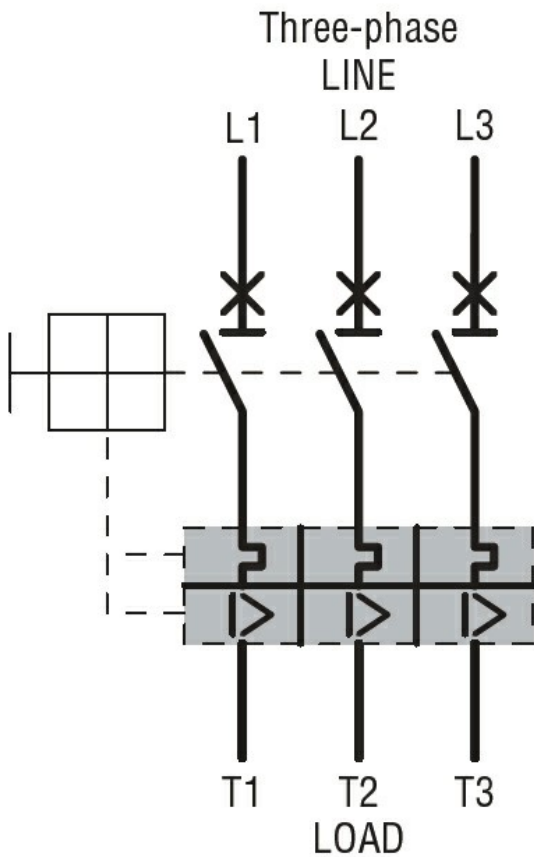


| Electrical features | | | |
|--|-----------|-----------------|------------|
| Magnetic protection | | | yes |
| Thermal protection | | | no |
| Rated insulation voltage U_i IEC/EN | V | | 690 |
| Rated impulse withstand voltage U_{imp} | kV | | 6 |
| Rated frequency | Hz | | 50/60 |
| Rated current (I_n) | A | | 1.6 |
| Magnetic tripping | | | 13 x I_n |
| Power dissipation per pole | min | W | 0.90 |
| | max | W | 2.30 |
| Operational short-circuit current breaking capacity (I_{cs}) at AC | 230V | kA | 100 |
| | 400V | kA | 100 |
| | 440V | kA | 100 |
| | 500V | kA | 100 |
| | 690V | kA | 100 |
| Maximum short-circuit current breaking capacity (I_{cu}) at AC | 230V | kA | 100 |
| | 400V | kA | 100 |
| | 440V | kA | 100 |
| | 500V | kA | 100 |
| | 690V | kA | 100 |
| IEC Utilization category | | | A |
| Operations | | | |
| Mechanical life | | cycles | 100000 |
| Electrical life | | cycles | 100000 |
| Mechanical features | | | |
| Tightening torque for terminals | min | Nm | 2.5 |
| | max | Nm | 3 |
| | min | lbin | 22 |
| | max | lbin | 26.5 |
| Conductor section | AWG/Kcmil | min | 16 |
| | | max | 8 |
| Flexible w/o lug conductor section | min | mm ² | 1 |
| | max | mm ² | 10 |
| Flexible c/w lug conductor section | min | mm ² | 1 |
| | max | mm ² | 10 |
| Flexible with insulated spade lug conductor section | min | mm ² | 1 |

| | | | | |
|---------------------------|--------------------------|--------------|-----------------|--------------------------|
| | | max | mm ² | 10 |
| Screwdriver | | | | PH2 |
| Cable stripping length | | main circuit | mm | 10 |
| Ambient conditions | | | | |
| Temperature | Operating temperature | min | °C | -20 |
| | | max | °C | +60 |
| | Storage temperature | min | °C | -50 |
| | | max | °C | +80 |
| | Compensation temperature | min | °C | -20 |
| | | max | °C | +50 |
| Max altitude | | | m | 3000 |
| Operating position | | allowable | | Any |
| Fixing | | | | Screw / DIN rail 35mm |
| Weight | | | g | 320 |
| UL technical data | | | | |
| Motor Disconnect | | at 240V | kA | 65 |
| | | at 480V | kA | 65 |
| | | at 600V | kA | 50 |
| | | protection | | Fuse or CB |
| Group Motor Installation | | at 480V | kA | 50 |
| | | at 600V | kA | 50 |
| | | protection | | Fuse or CB |
| Tap Conductor Protection | | at 480Y/277V | kA | 50 |
| | | at 600Y/347V | kA | 50 |
| Dimensions | | | | |



Wiring diagrams



Certifications and compliance

Certifications

CSA C22.2 n° 60947-4-1

IEC/EN 60947-1

IEC/EN 60947-2

IEC/EN 60947-4-1

UL60947-4-1

Compliance

cULus

EAC

ETIM classification

ETIM 8.0

EC000074 -
Motor protection
circuit-breaker